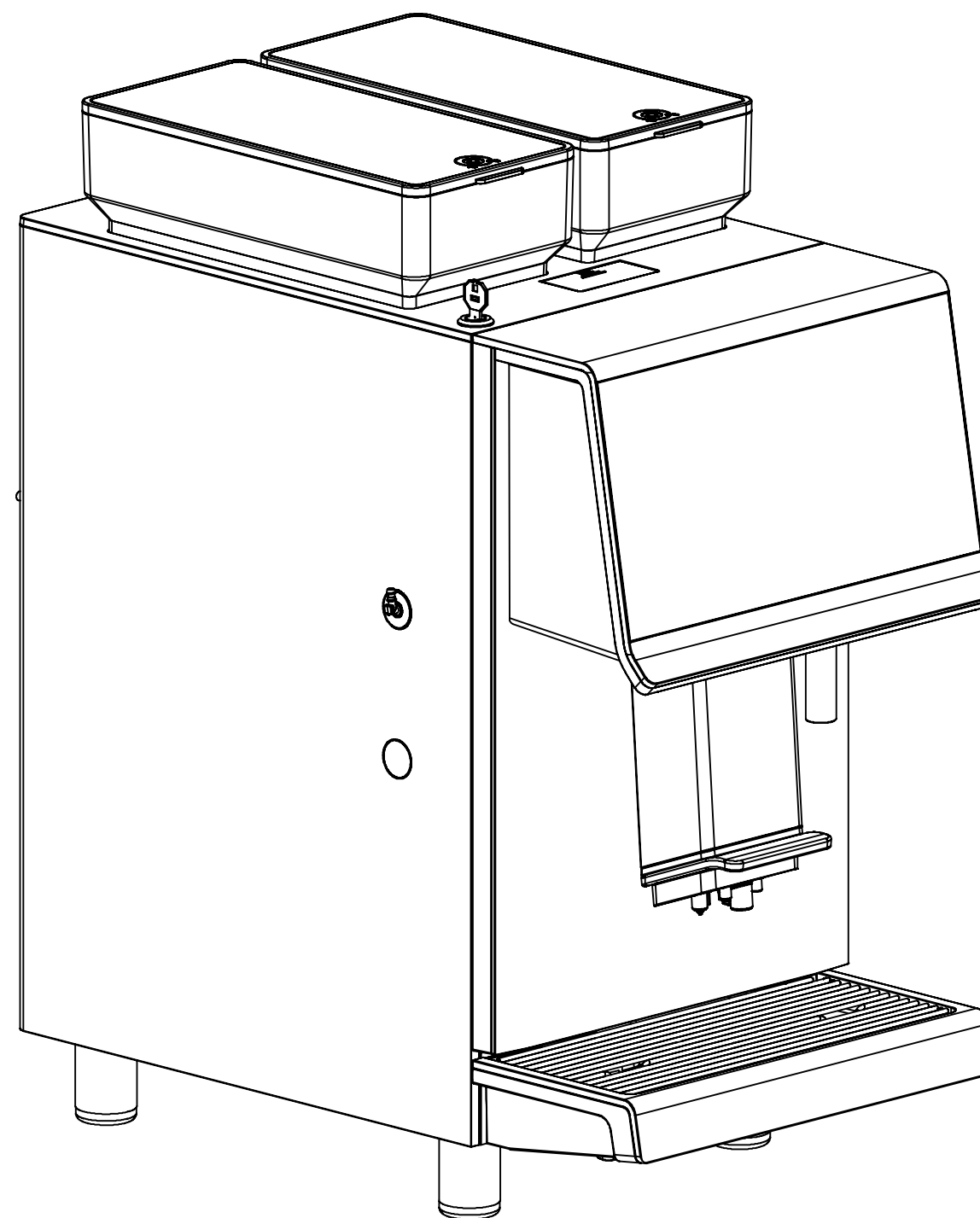


# F20 Explosive view

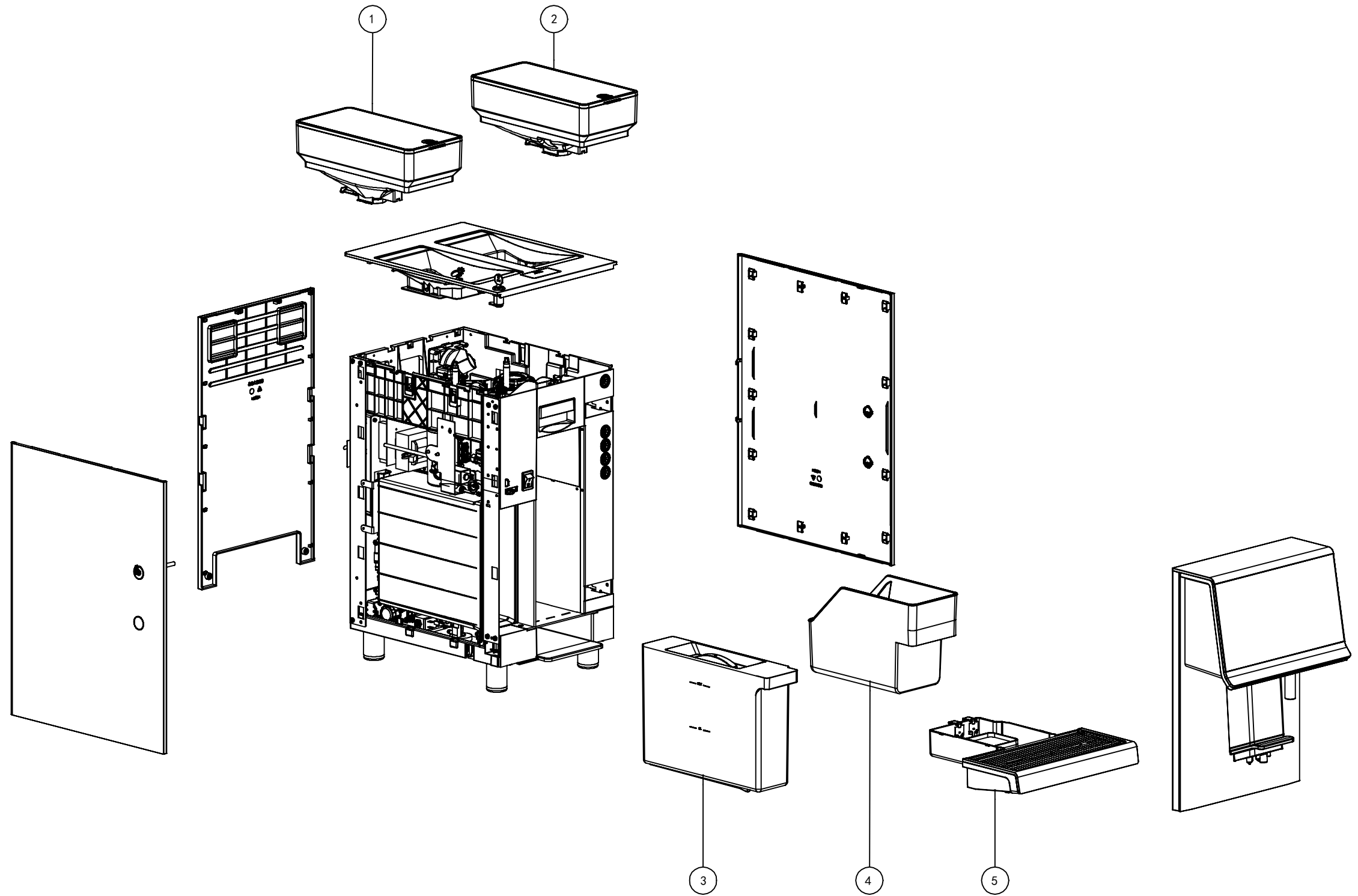
---

ISSUE: 01

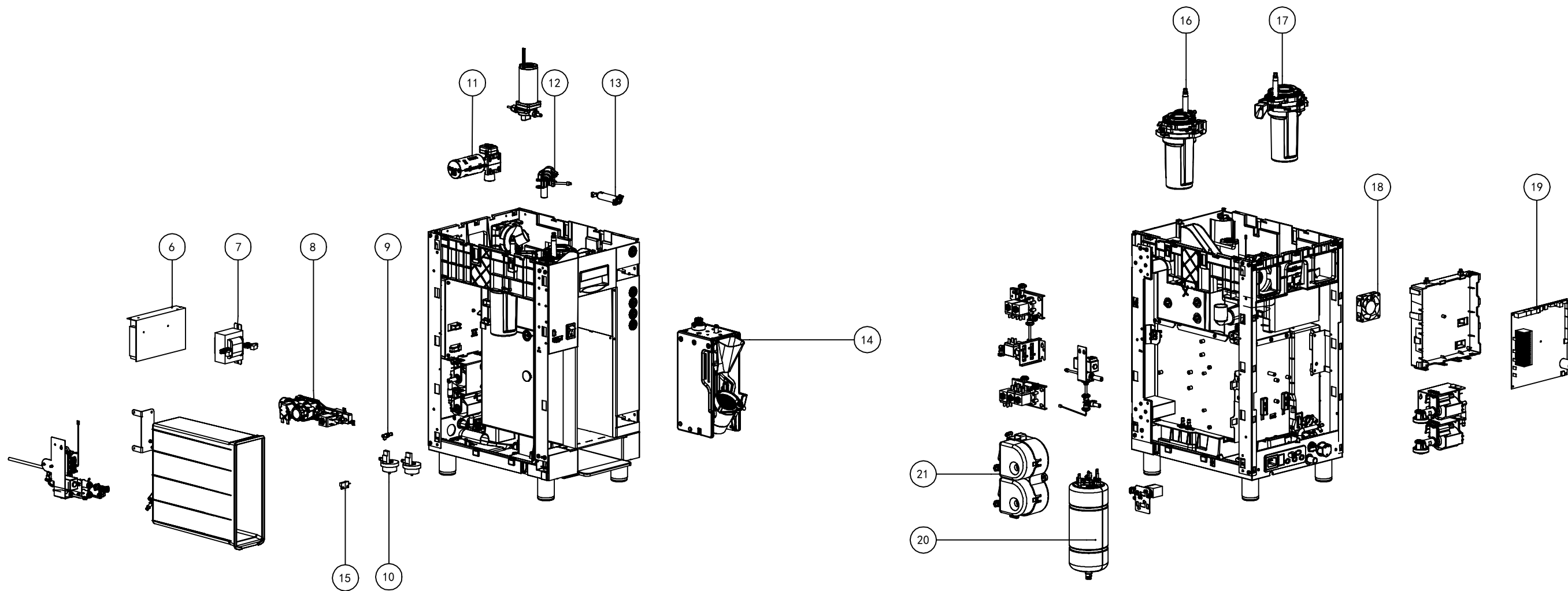


# Content

Appearance group.....	01
F20 Main Unit group.....	02
Bean Box group.....	03
Drip Tray group.....	04
F20 Door group.....	05
<b>Beverage Outlet Group.....</b>	<b>06</b>
Water Tank box group.....	07
Brewer group.....	08
Milk pump group.....	09
Steam boiler group.....	10
F20 Pump group.....	11
Grinder group.....	12
Pressure valve group.....	13
3-way milk valve Group.....	14
Solenoid valve group.....	15
F20 Thermal block Group.....	16
Milk&air valve group.....	17
P30 Explosive view.....	18
P30 Appearance group.....	19
P30 Main Unit group.....	20
Left&Middle&Right Bean Container group.....	21
Blender motor group.....	22
P30 PCBA group.....	23
P30 Fan group.....	24

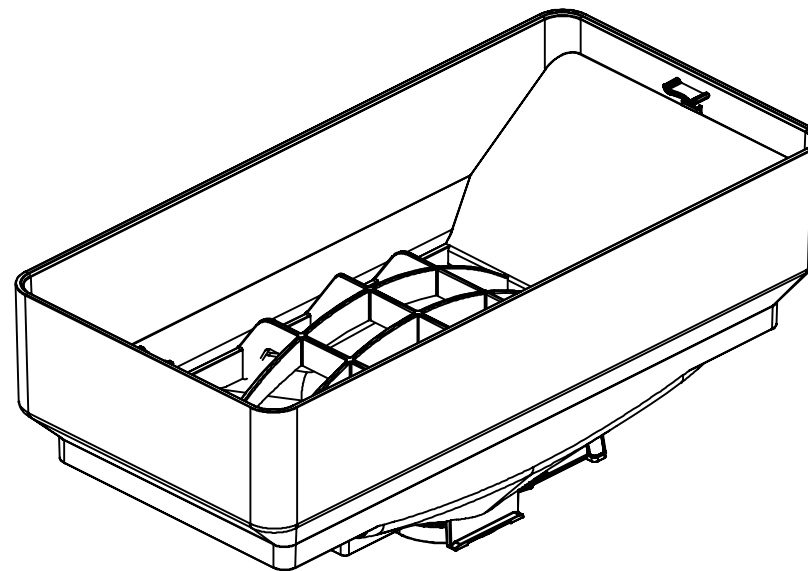
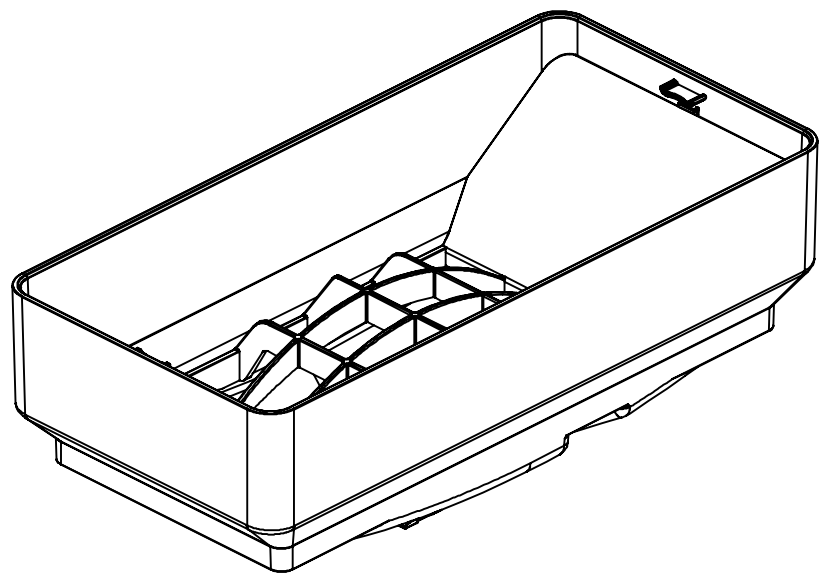
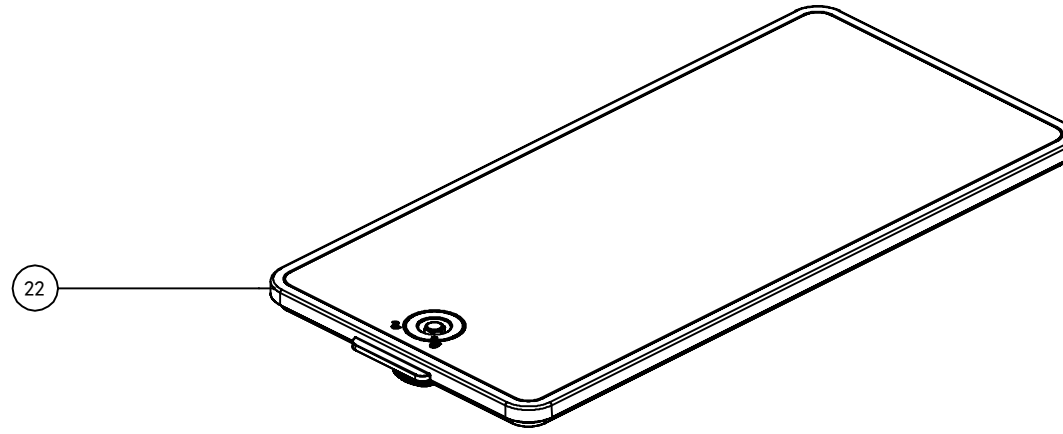
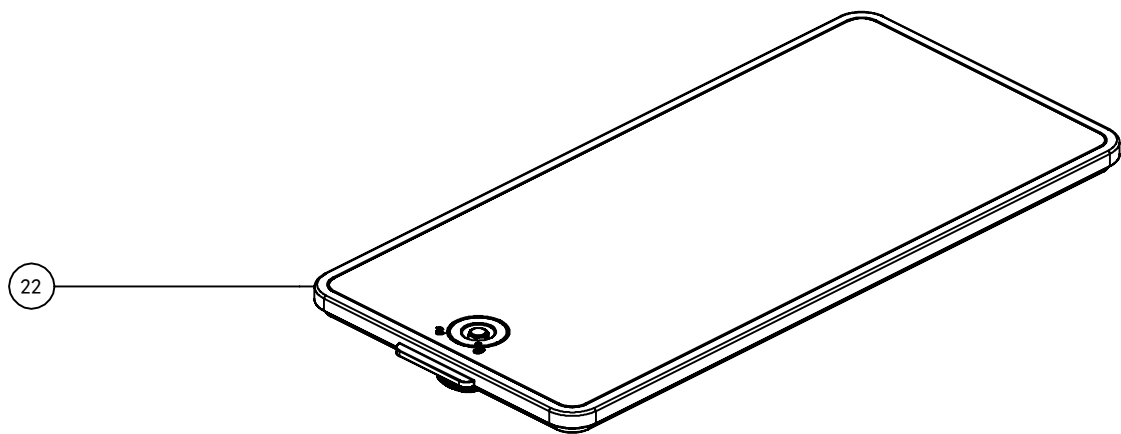


ITEM	DWG NO.	ENGLISH NAME	名称
1	7NN0510	F20 Coffee bean box L	F20左豆盒组
2	7NN0511	F20 Coffee bean box R	F20右豆盒组
3	7NN0045	F2 Water tank	F2 水箱组
4	8S10727	F20 Coffee Grounds Box	F20 渣盒
5	7NN0516	F20 Drip Tray Group	F20 蓄水盘组

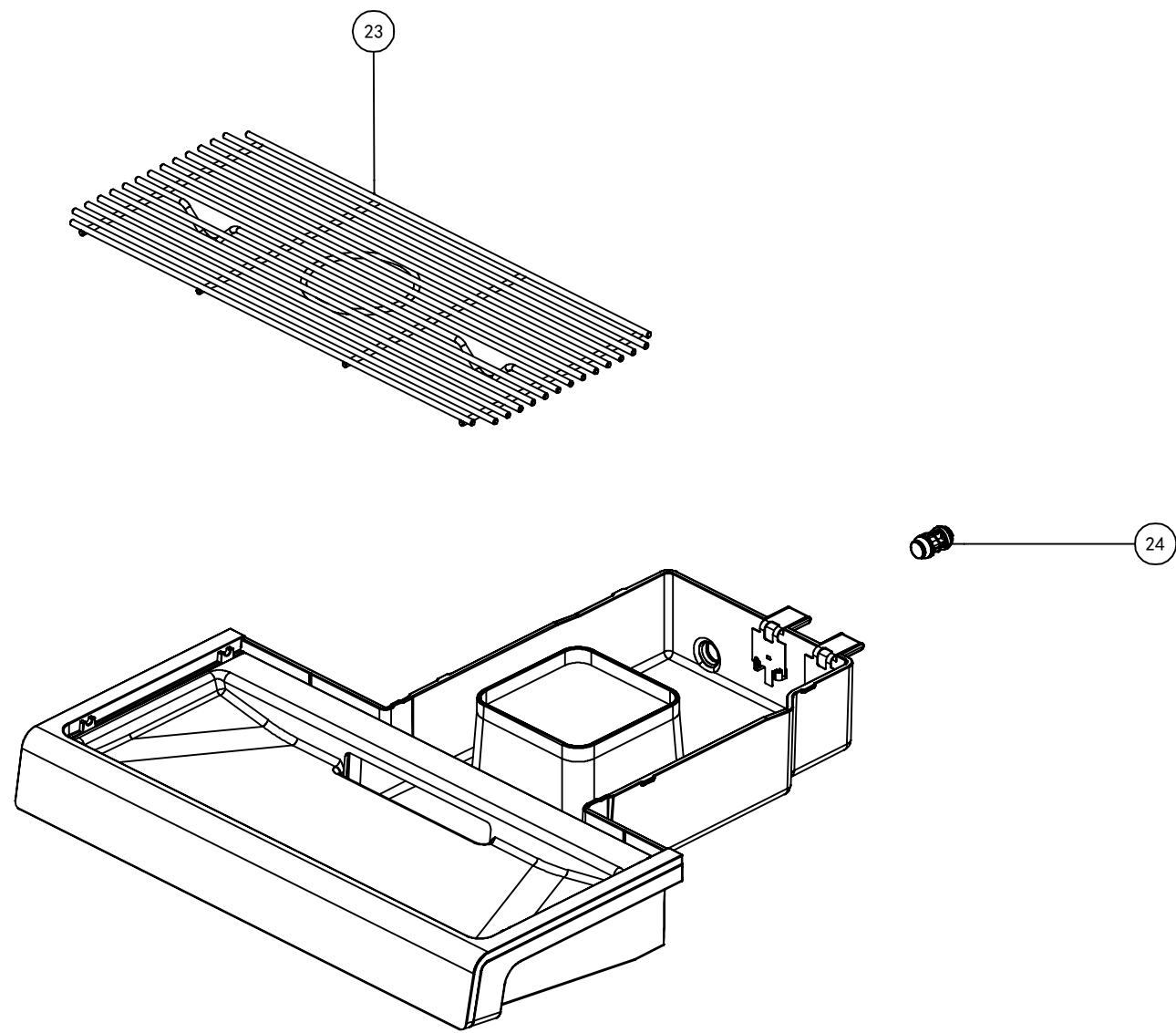


ITEM	DWG NO.	ENGLISH NAME	名称
6	8D30126	Switching power supply 150W	明纬开关电源150W
7	8D30037	Transfomer	变压器
8	7NN0058	F11 Water inlet assembly	F11 自动进水阀组
9	8S10319	3 Way Hose Connector (9mm)	三通软管接头 (9mm)
10	8D30065	Flowmeter	流量计 (0度)
11	7NN0538	F20 Encoder Group	F20 传动反馈器组
12	7NN0243	Pressure regulating valve	Minibar 蓄压阀组
13	7NN0294	Foamer conncction	奶泡打发器
14	7NN0040	F2 Brewer	F2 冲泡器组
15	8D30013	Reed Switch	干簧管
16	7NN0518	F20 Grinder Group L	F20 左磨豆组

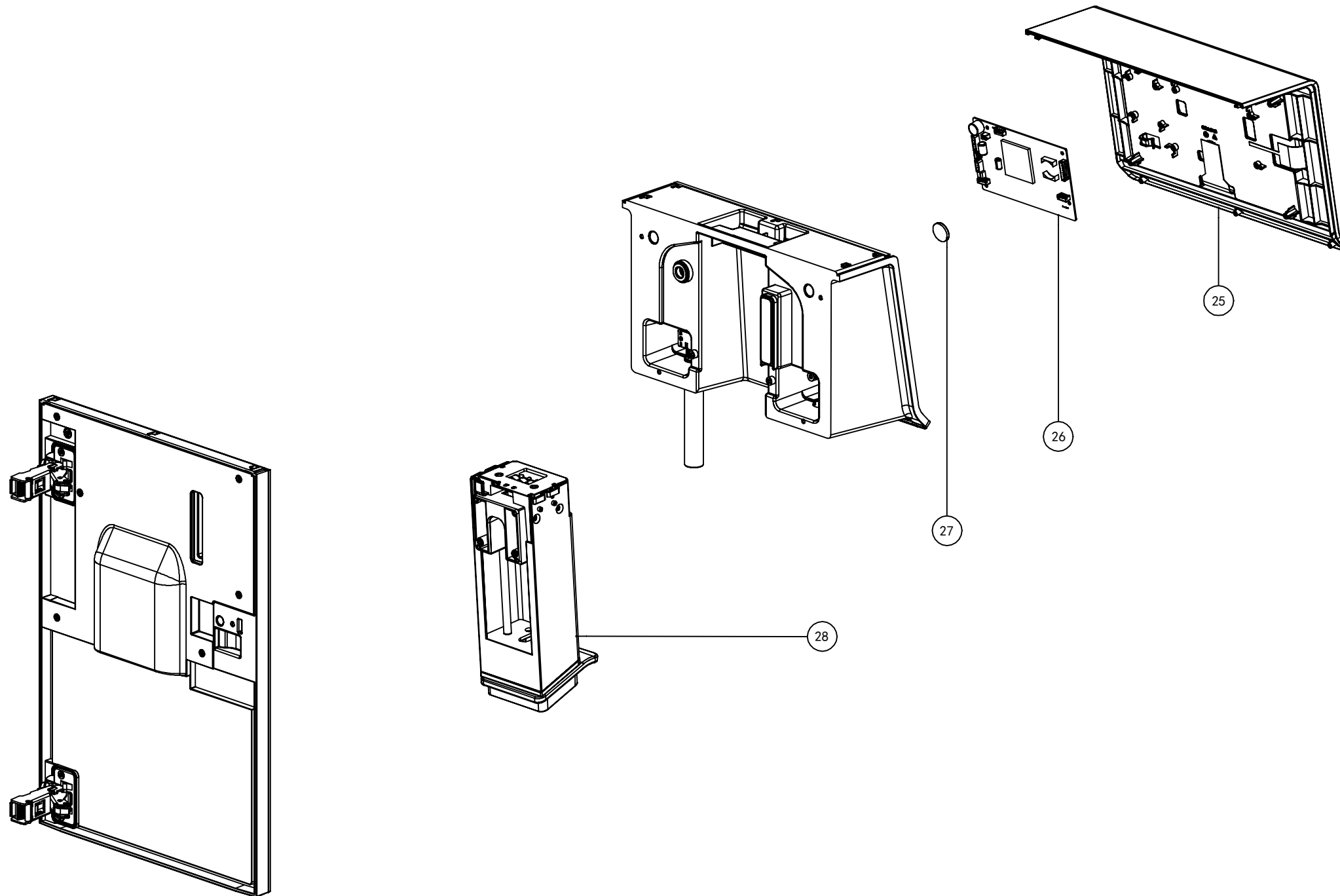
ITEM	DWG NO.	ENGLISH NAME	名称
17	7NN0519	F20 Grinder Group R	F20 右磨豆组
18	8D30130	Fan	风扇
19	8D10066	F20 Main Board	F20 主控板
20	7NN0246	Steam Boiler Group	Minibar 蒸汽锅炉组
21	7NN0528	F20 Thermoblock assembly	F20 电热盘组



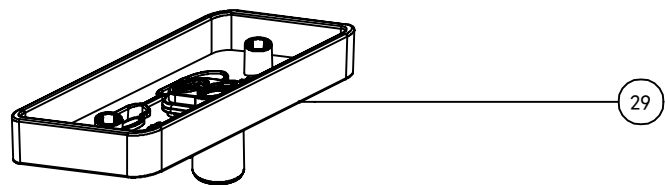
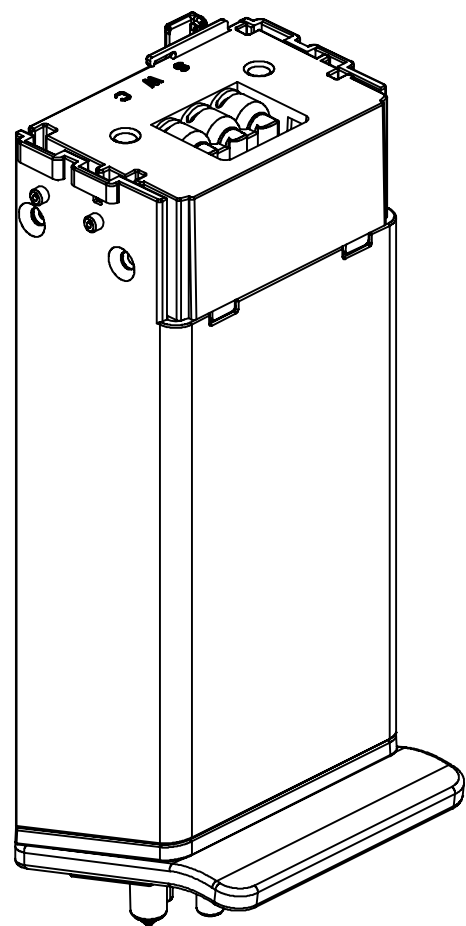
ITEM	DWG NO.	ENGLISH NAME	名称
22	7NN0903	F20 Bean container cover (Key)	F20豆盒盖组



ITEM	DWG NO.	ENGLISH NAME	名称
23	8W60034	F20 Stainless steel Cup tray	F20不锈钢托杯盘
24	7NN0371	One-way valve	单向阀组

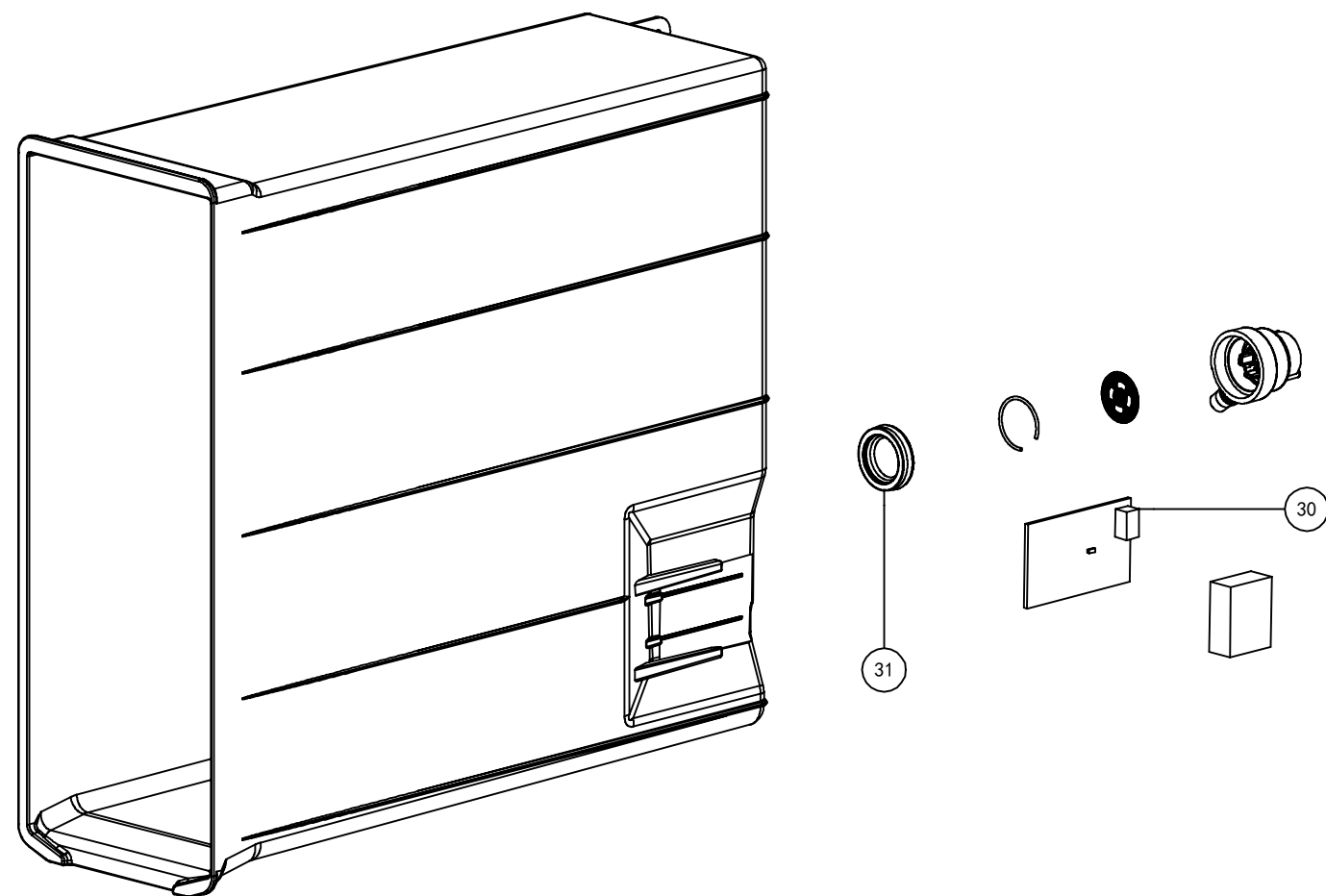


ITEM	DWG NO.	ENGLISH NAME	名称
25	7NN0904	F20 HMI_ASSY	F20 HMI组
26	8D10030	HMI	HMI板
27	8D30064	Battery (CR-2032/5BC)	纽扣电池
28	7NN0527	F20 Beverage Outflow Assy	F20咖啡出口组

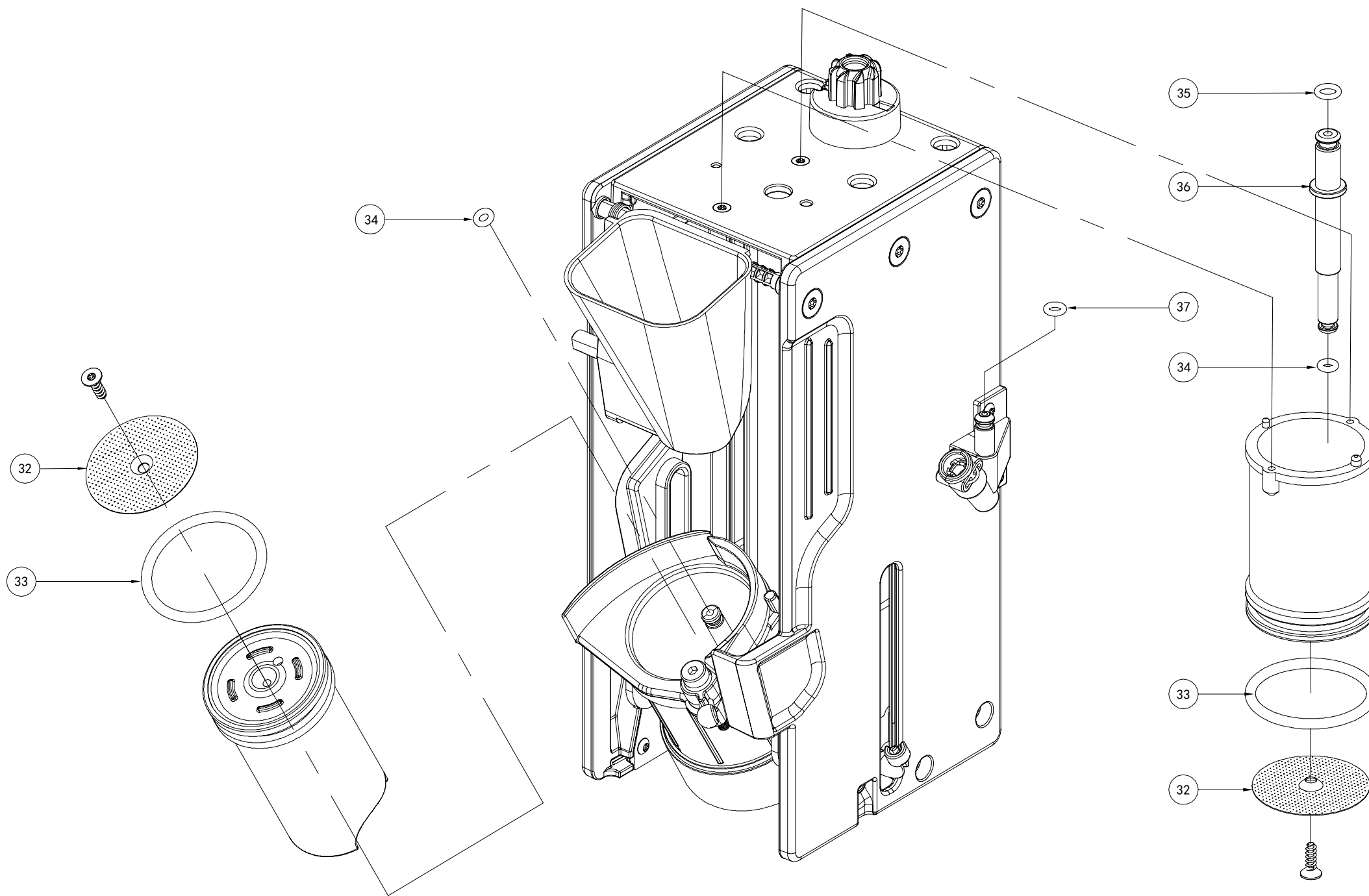


ITEM	DWG NO.	ENGLISH NAME	名称
29	7NN0905	F20 Beverage outlet cover group	F20饮品出口盖组

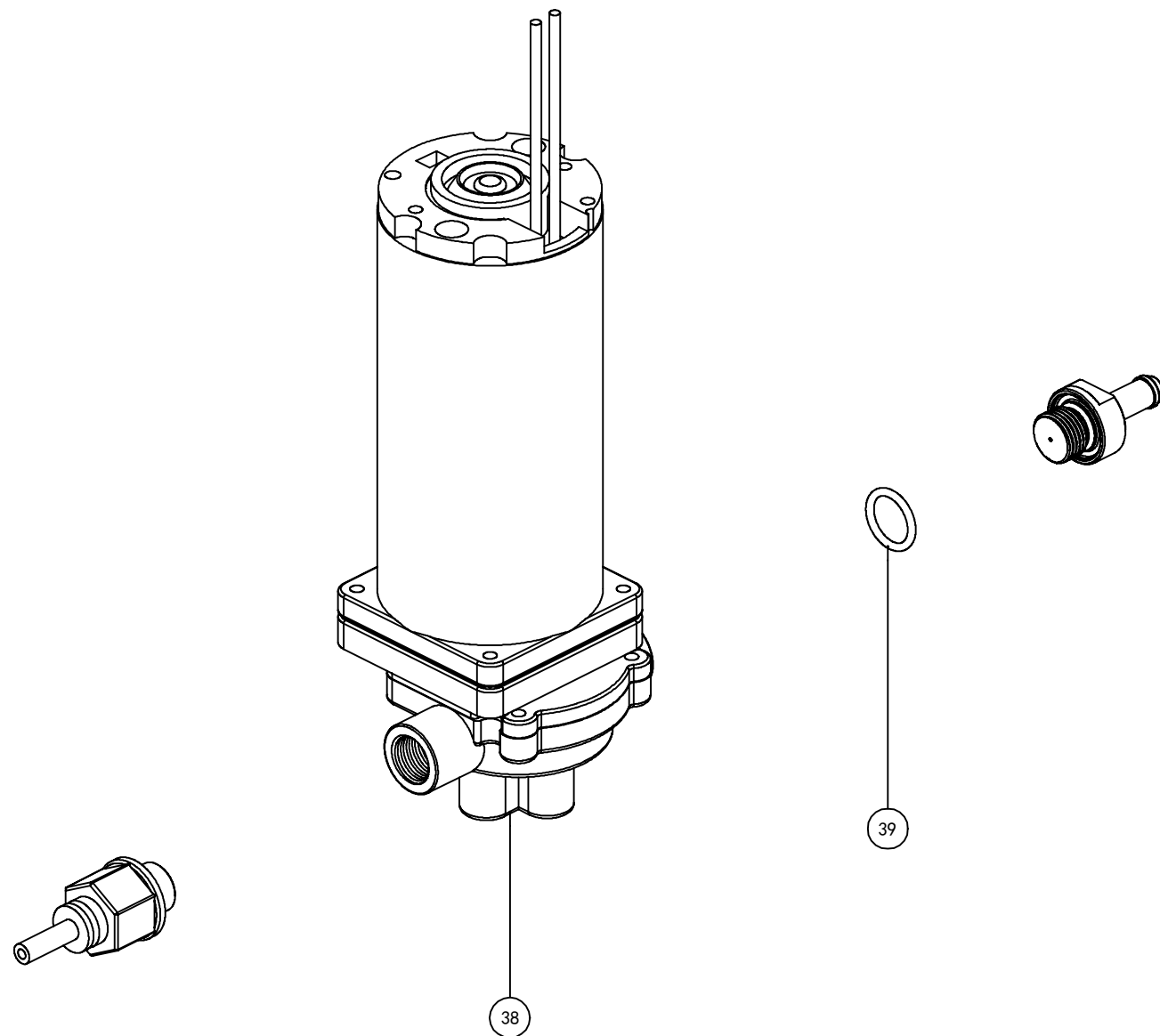




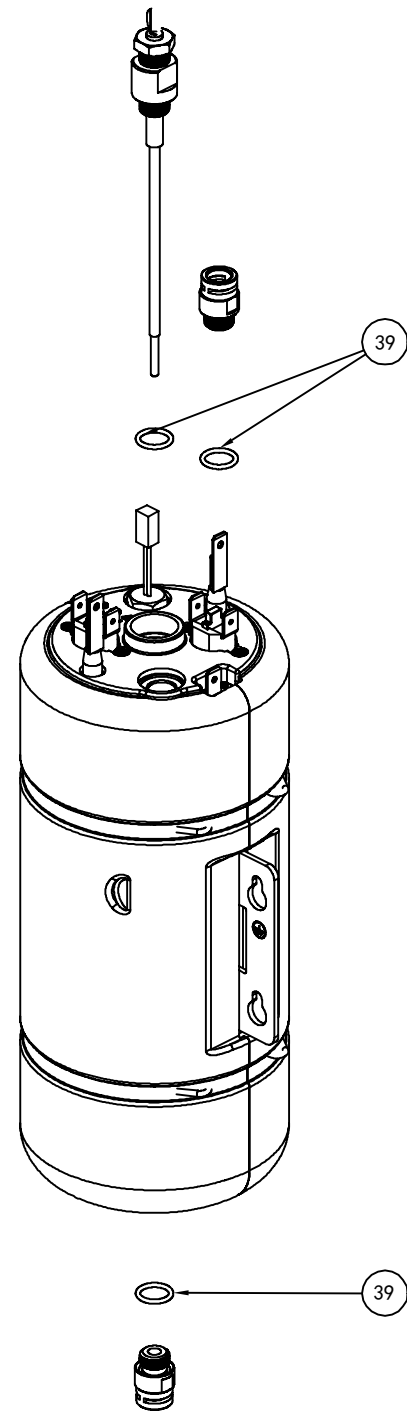
ITEM	DWG NO.	ENGLISH NAME	名称
30	8D10027	Water level detection PCBA	新水位检测PCB
31	8G20014	Y-ring $\phi 22.67 * \phi 13.90$	导水座Y型密封圈



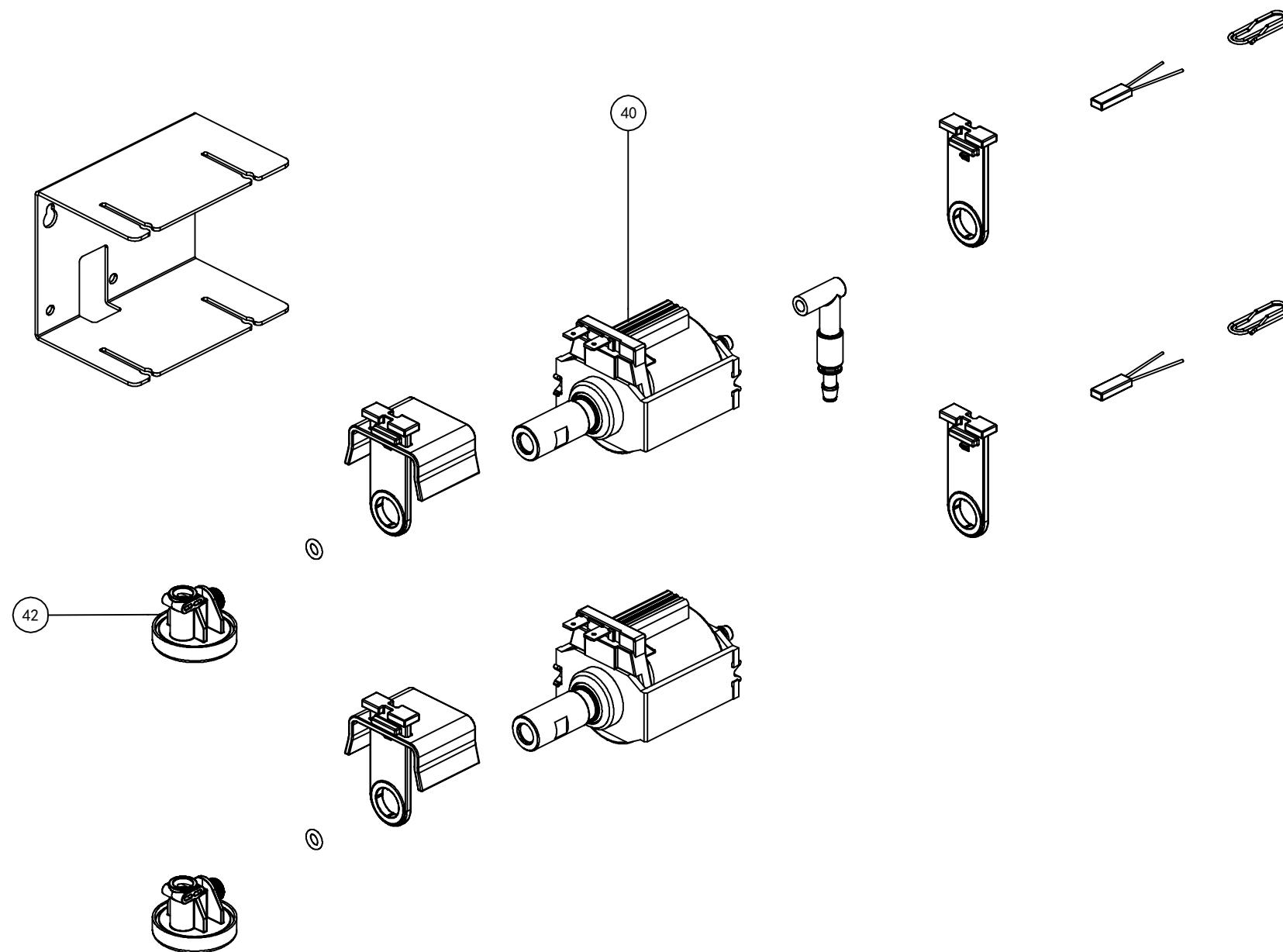
ITEM	DWG NO.	ENGLISH NAME	名称
32	8W60011	Coffee filter	冲煮头过滤网
33	8G10004	Brew Group Seal Ring	冲煮头密封圈
34	8G10008	O-ring $\phi 3.3*\phi 2.0$	铜套密封圈
35	8G10013	Coffee Outlet Seal Ring	冲泡器咖啡出口密封圈
36	8S10171	Coffee Outlet	冲泡器咖啡出口
37	8G10012	O-ring $\phi 4*\phi 1.8$	导向轴密封圈



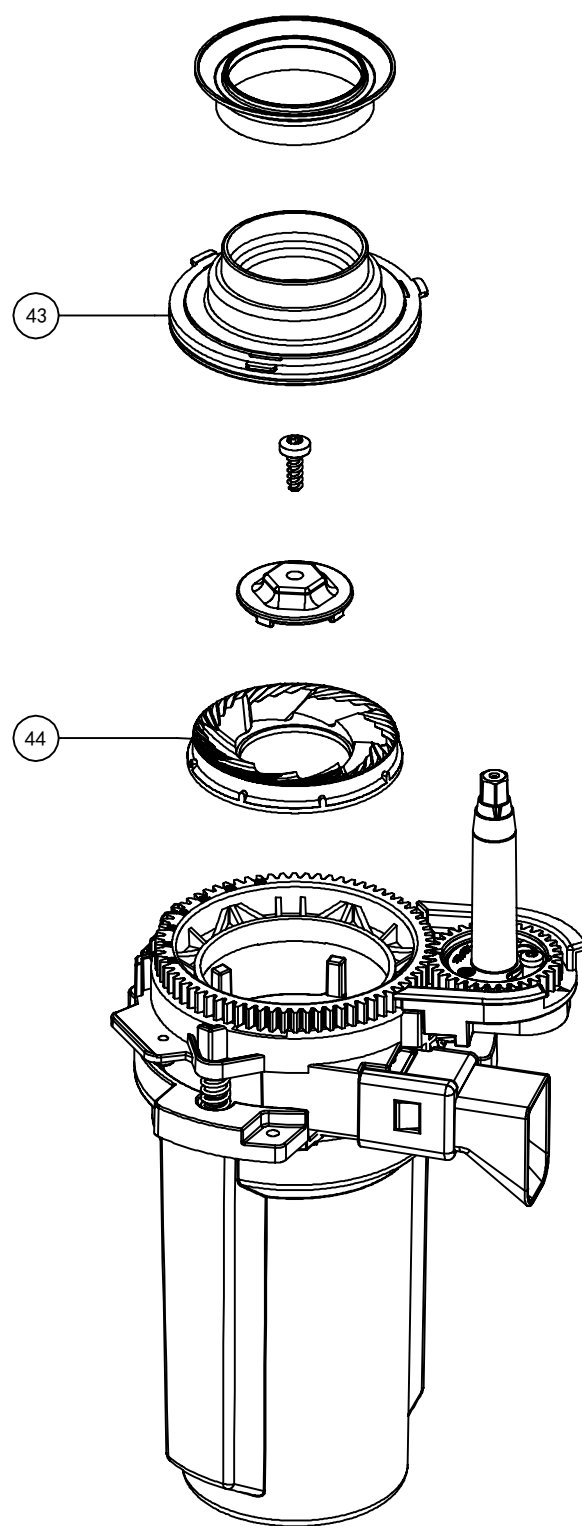
ITEM	DWG NO.	ENGLISH NAME	名称
38	8D30129	Milk pump	F3奶泵
39	8G10024	Boiler Joint Seal Ring	锅炉接头密封圈



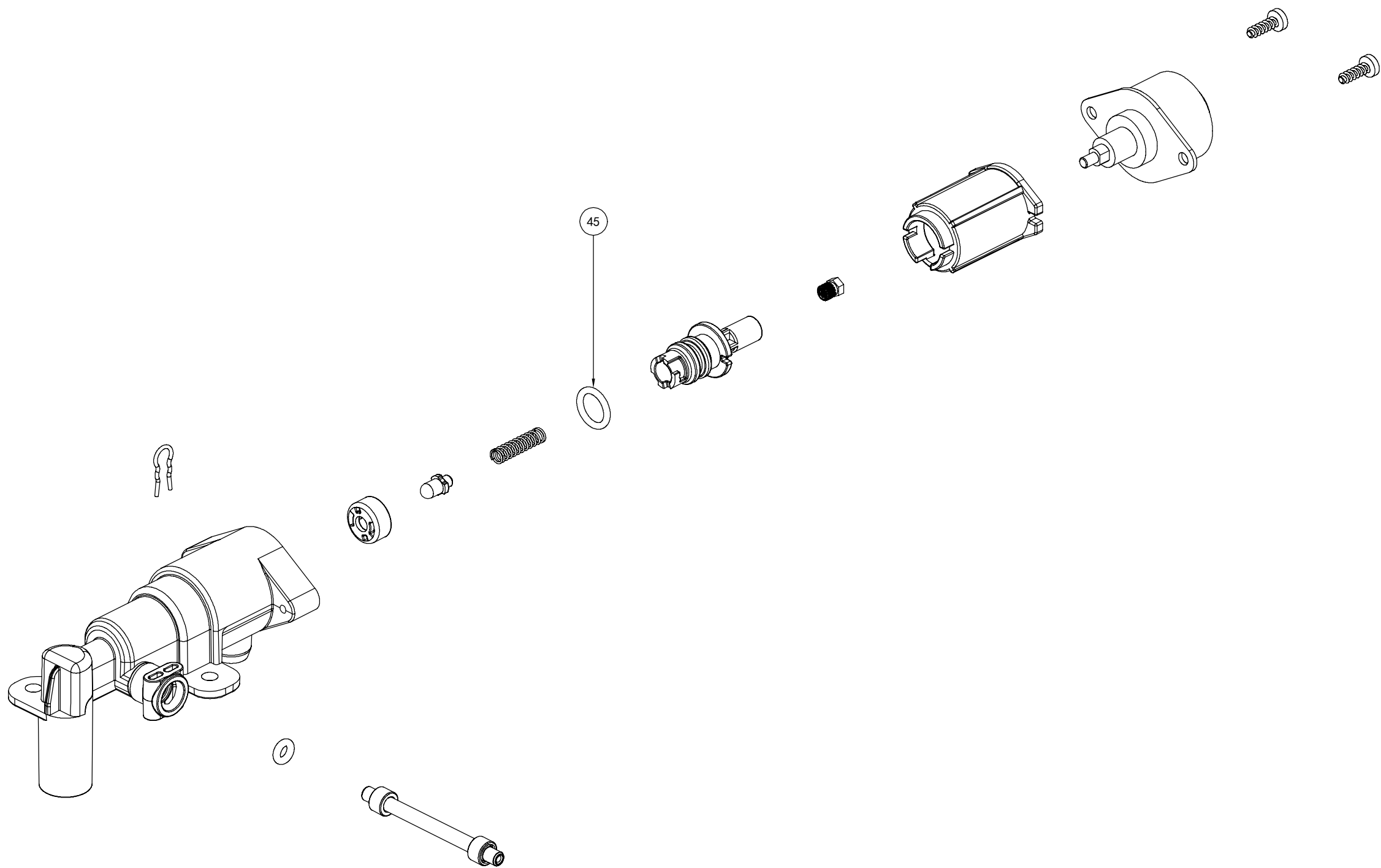
ITEM	DWG NO.	ENGLISH NAME	名称
39	8G10024	Boiler Joint Seal Ring	锅炉接头密封圈



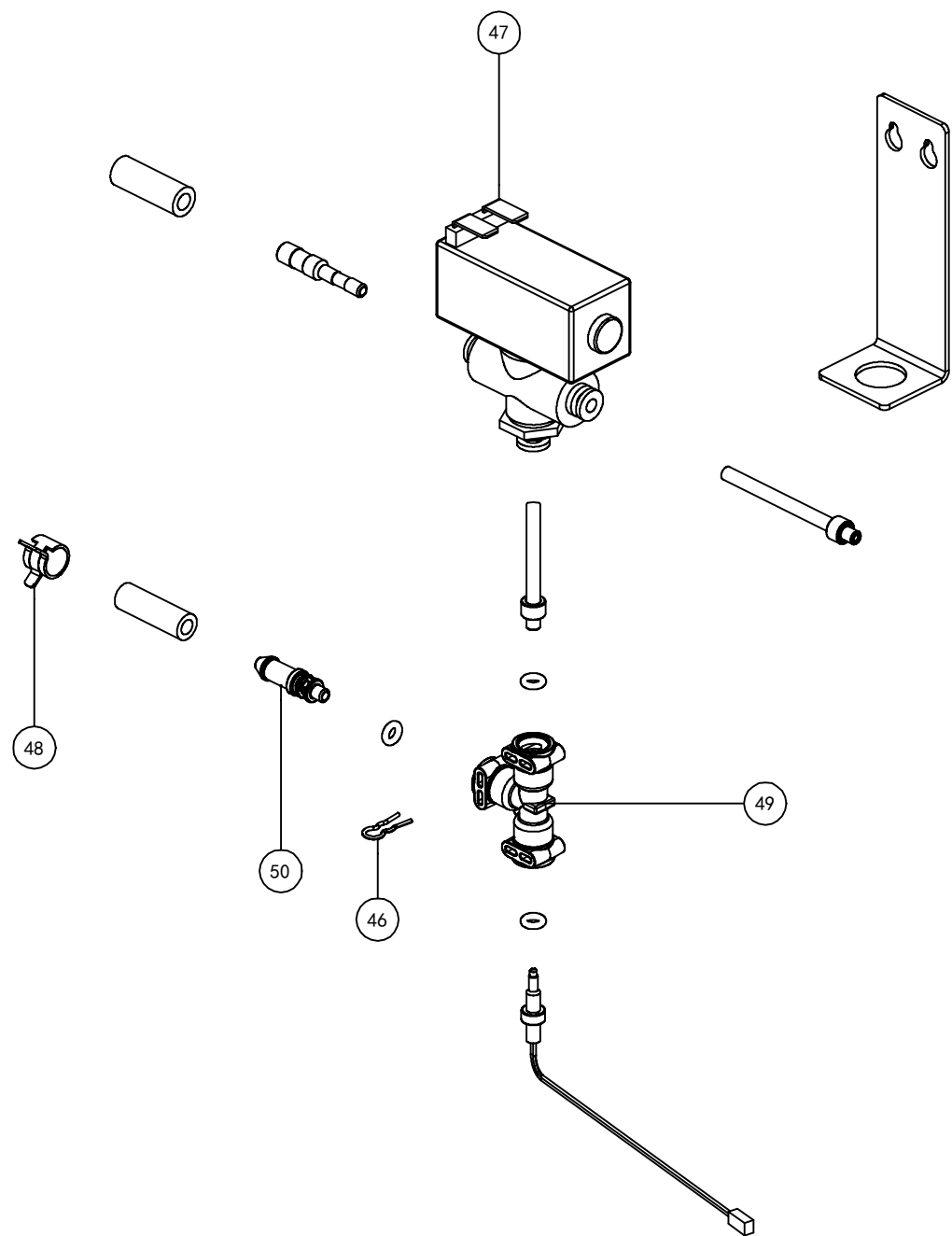
ITEM	DWG NO.	ENGLISH NAME	名称
40	8D30051	Pump (CP04)	水泵 (CP04)
41	8D30052	Pump (CP4SP)	水泵 (CP4SP) (60Hz)
42	7NN0012	Membrane controller group	稳压阀组



ITEM	DWG NO.	ENGLISH NAME	名称
43	7NN0119	Upper grinder burr assembly	上刀盘组
44	8T10003	Grinder burr	磨豆刀

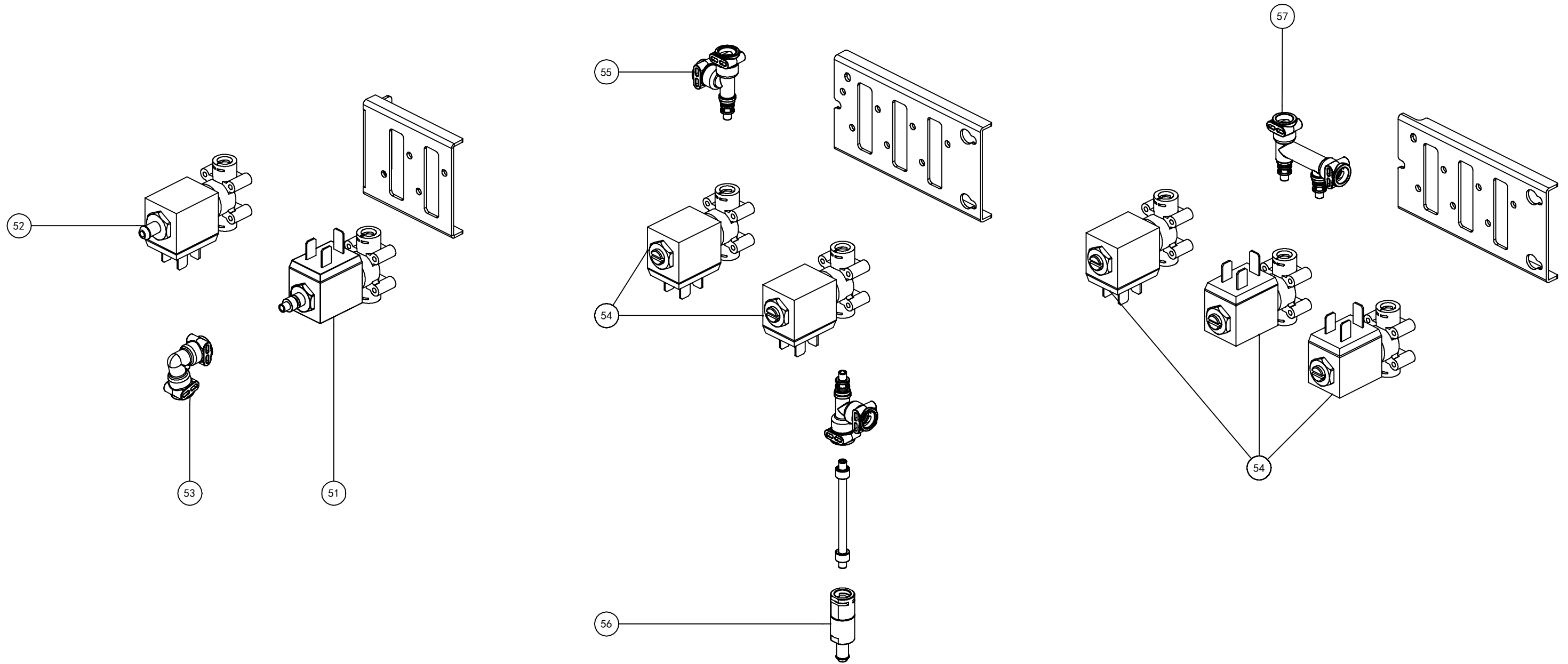


ITEM	DWG NO.	ENGLISH NAME	名称
45	8G10005	Pressure Valve Seal Ring	蓄压阀密封圈

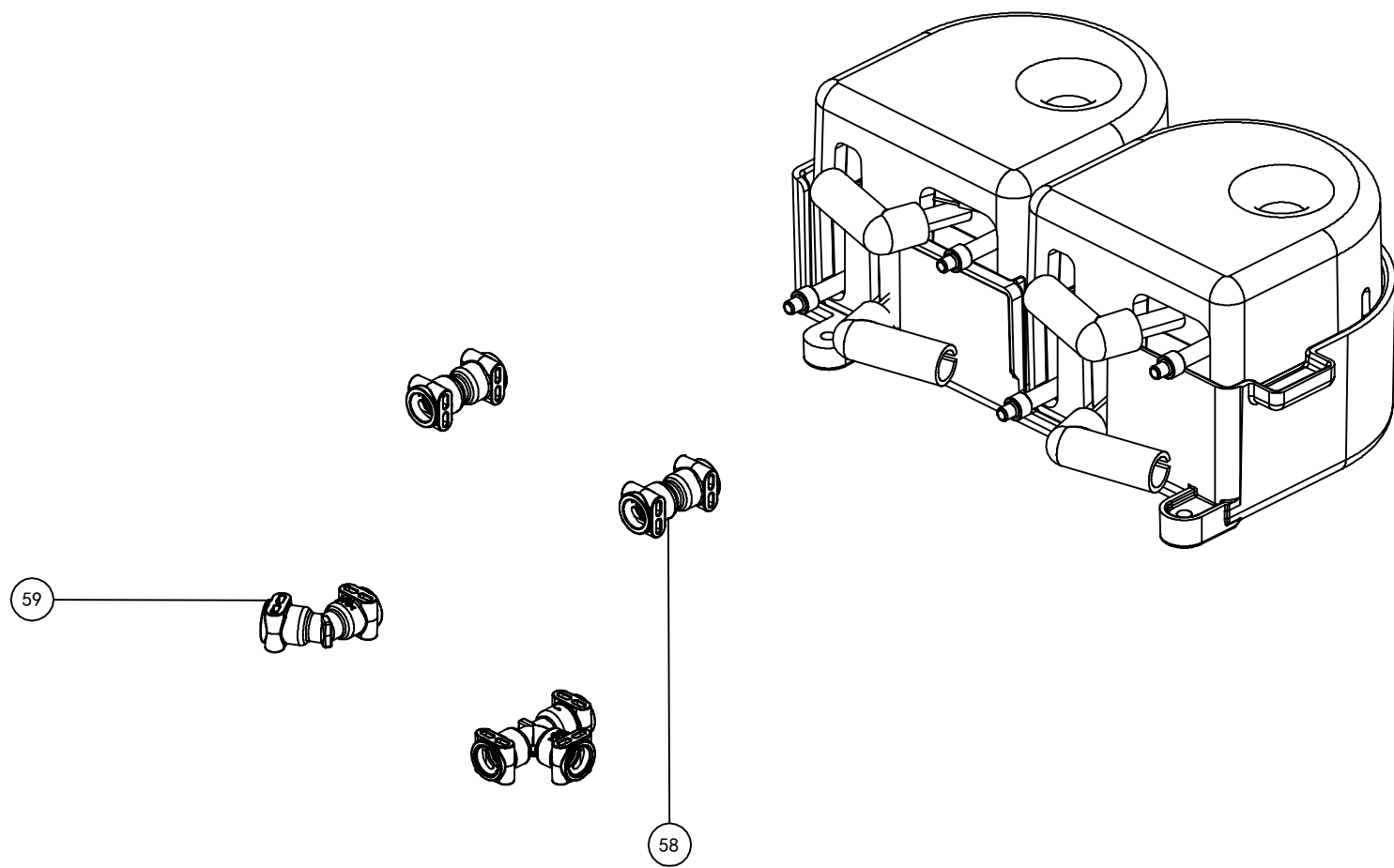


ITEM	DWG NO.	ENGLISH NAME	名称
46	8W50023	Spring clip	通用弹簧夹
47	8D30112	Milk three-way valve	三通奶阀
48	8W30098	Clamp	Φ8.5弹性卡箍
49	8S10517	3-way Connector	三通铁氟龙接头
50	8S10350	D9 Connector	软管接头 (5*9)

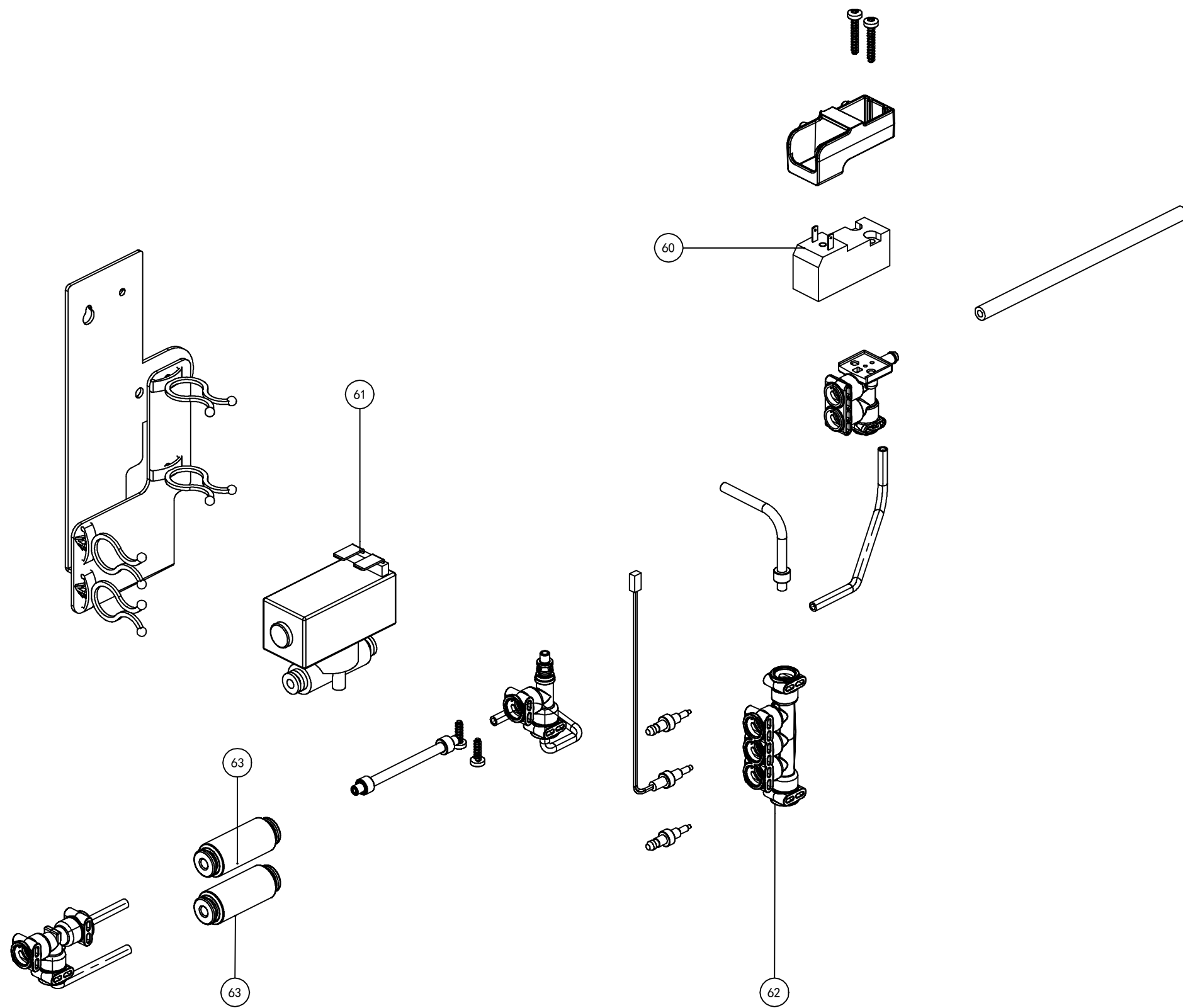




ITEM	DWG NO.	ENGLISH NAME	名称
51	8D30120	Solenoid valve-3W	三通电磁阀-3口为卡扣
52	8D30034	Solenoid valve-3W	三通电磁阀
53	8S10136	L Connector	分向阀转接头
54	8D30021	Solenoid valve-2W	两通电磁阀
55	8S10144	T Connector	三通转接头
56	7NN0019	5 Bar Valve	5bar 安全阀组
57	8S10522	4-way Connector	电磁阀组四通接头



ITEM	DWG NO.	ENGLISH NAME	名称
58	8S10058	Straight Connector	直通接头
59	8S10428	120° Connector	120° 两通接头

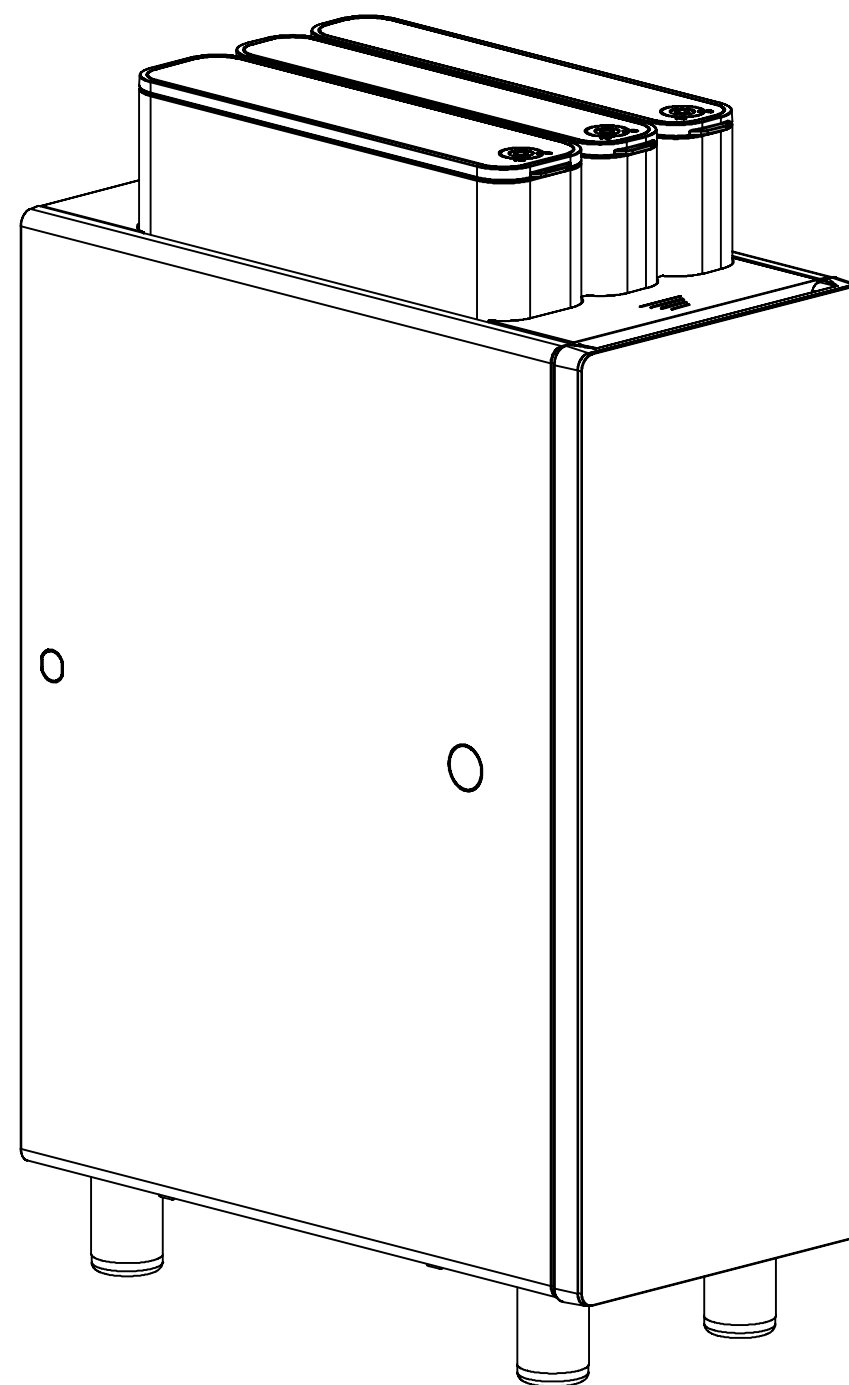


ITEM	DWG NO.	ENGLISH NAME	名称
60	8D30090	Air Inlet Valve	气阀
61	8D30113	Milk two-way valve	二通奶阀
62	8S10957	Milk_into	进奶检测接头
63	8S20032	Check Valve	RPE快插单向阀 (4mm)

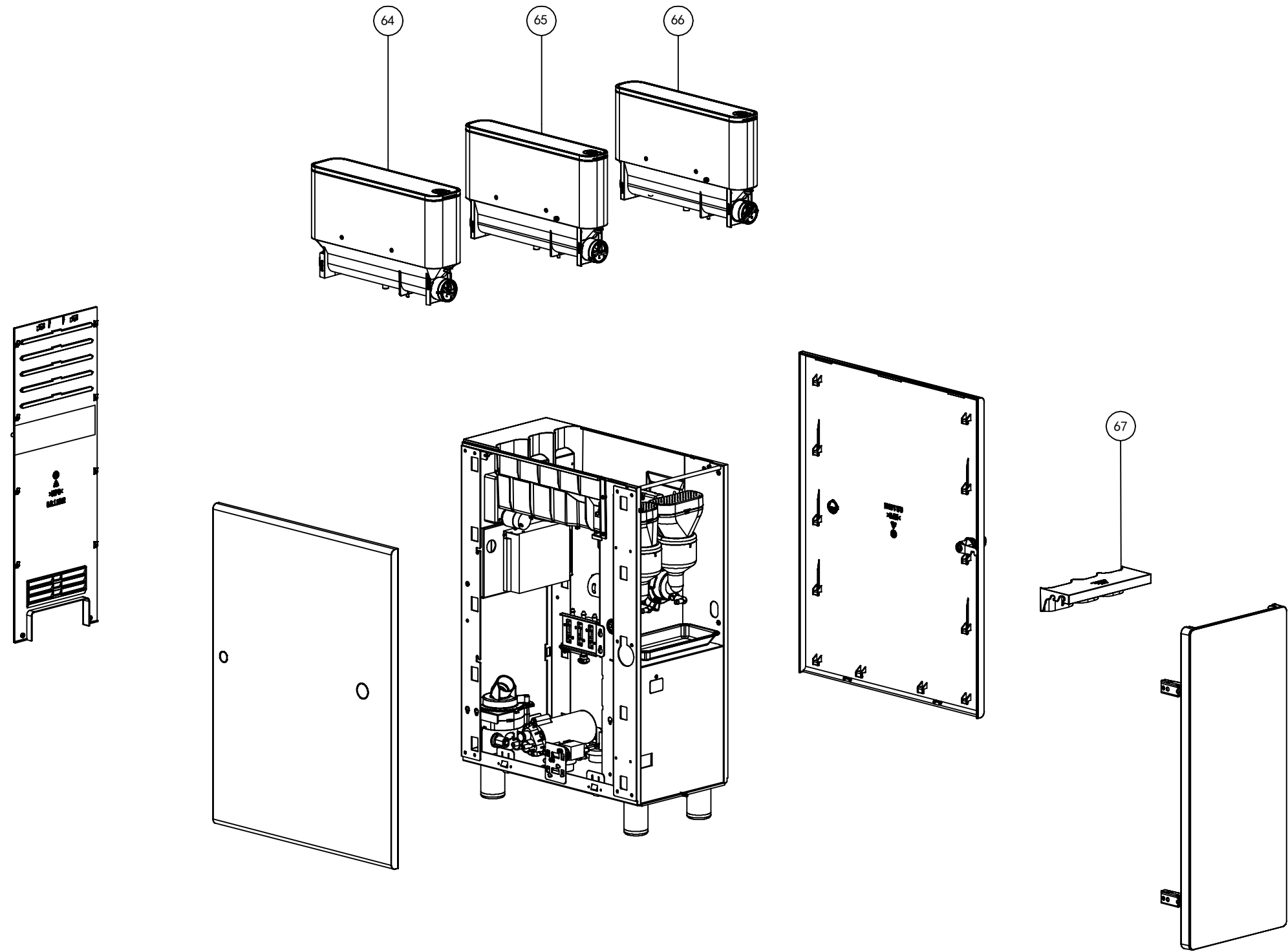
# P30 Explosive view

---

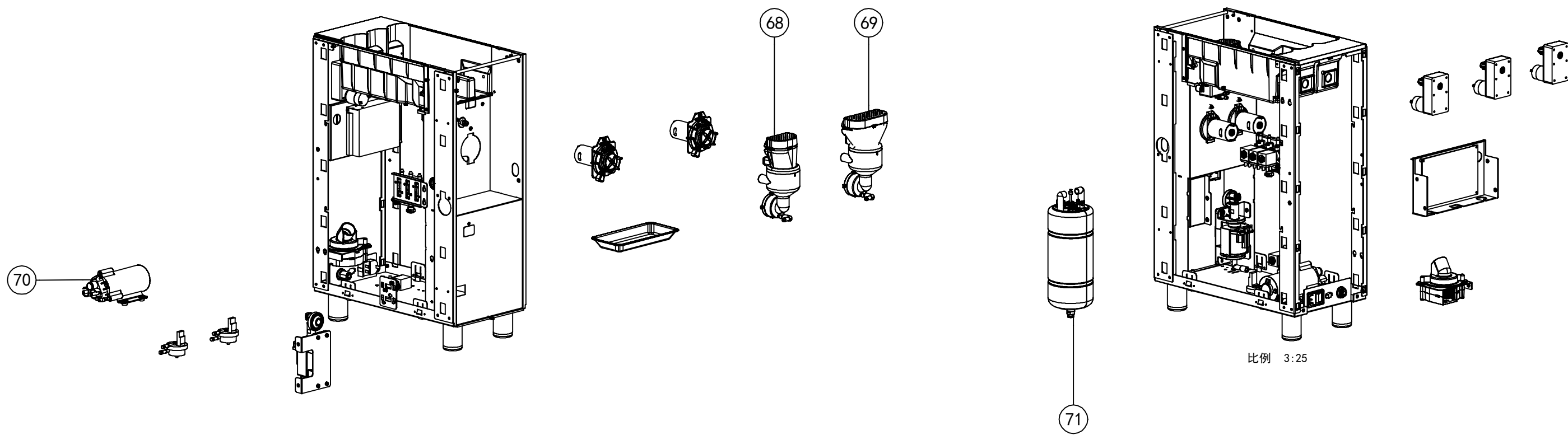
ISSUE: 01



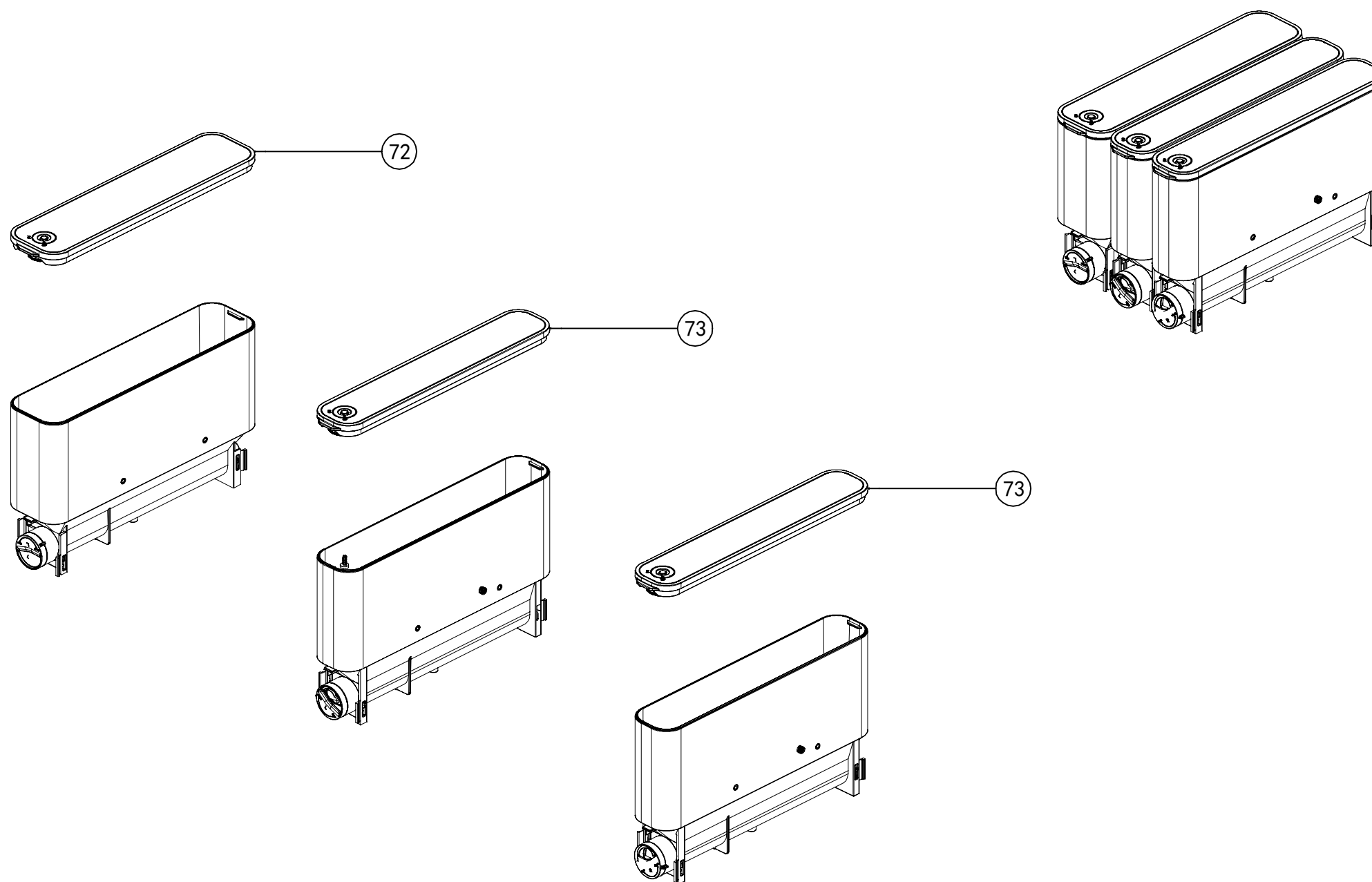
Date:2022/09/29



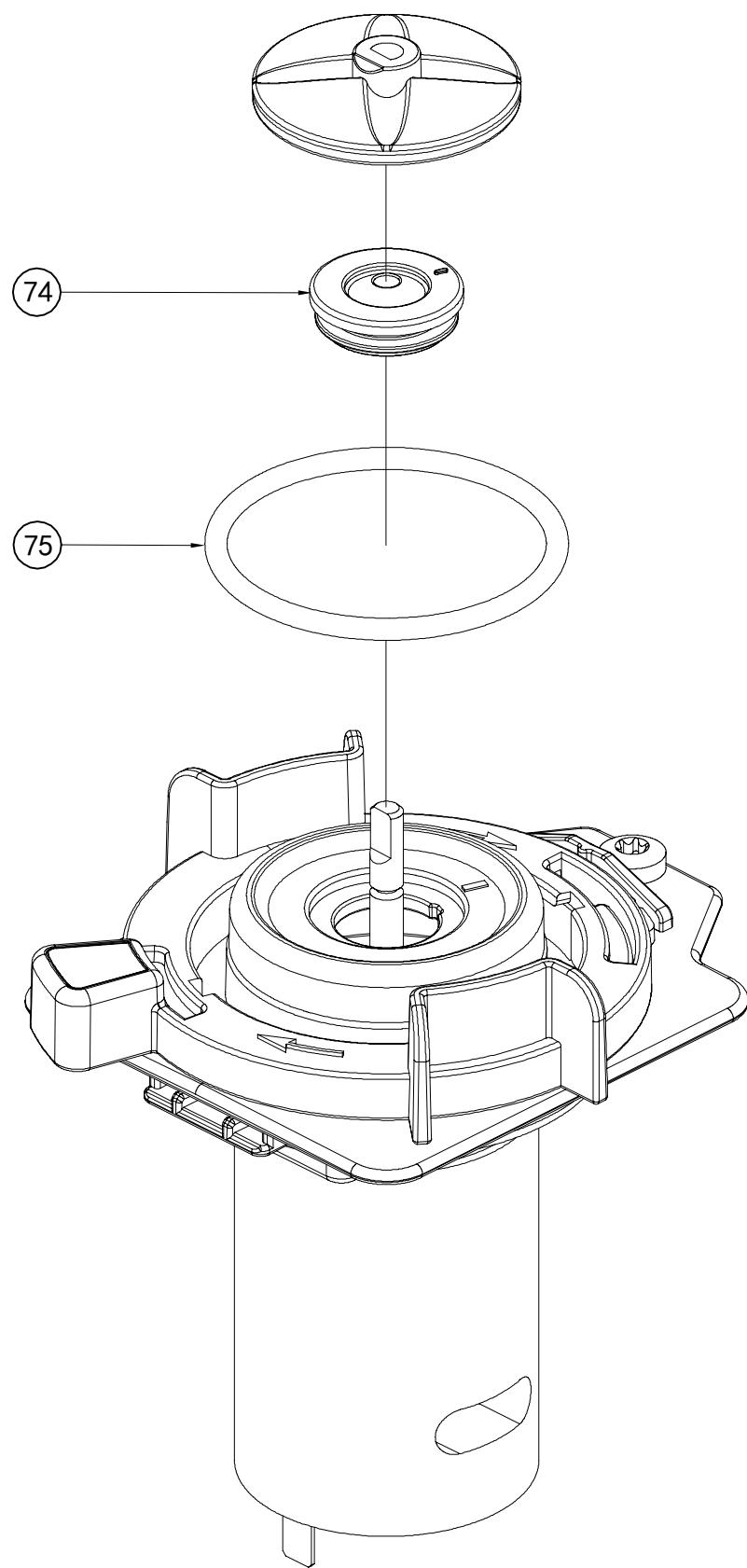
ITEM	DWG NO.	ENGLISH NAME	名称
64	7NN0692	Coffeecenter Powder Container L	Coffeecenter 左粉盒组
65	7NN0693	Coffeecenter Powder Container M	Coffeecenter 中粉盒组
66	7NN0694	Coffeecenter Powder Container R	Coffeecenter 右粉盒组
67	8S10845	P30 Slide Cover	P30上盖小板



ITEM	DWG NO.	ENGLISH NAME	名称
68	7NN0711	Coffeecenter Mixer L	Coffeecenter 左搅拌室
69	7NN0712	Coffeecenter Mixer R	Coffeecenter 右搅拌室
70	8D30171	Diaphragm pump	隔膜泵
71	7NN0662	P30 Hot Water Boiler Group	P30锅炉组

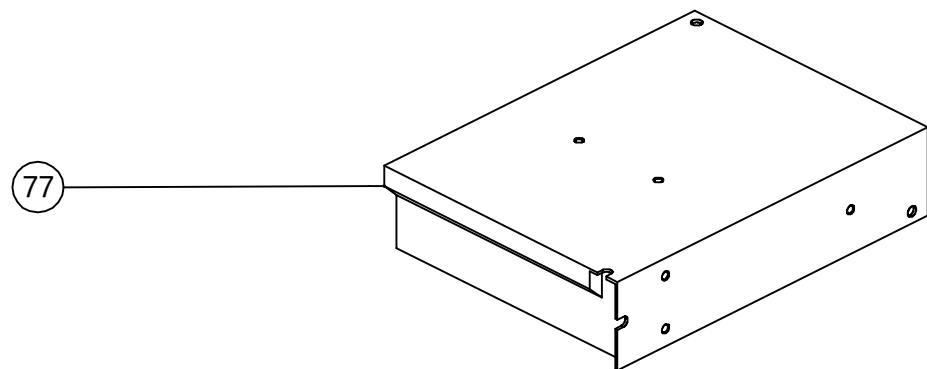
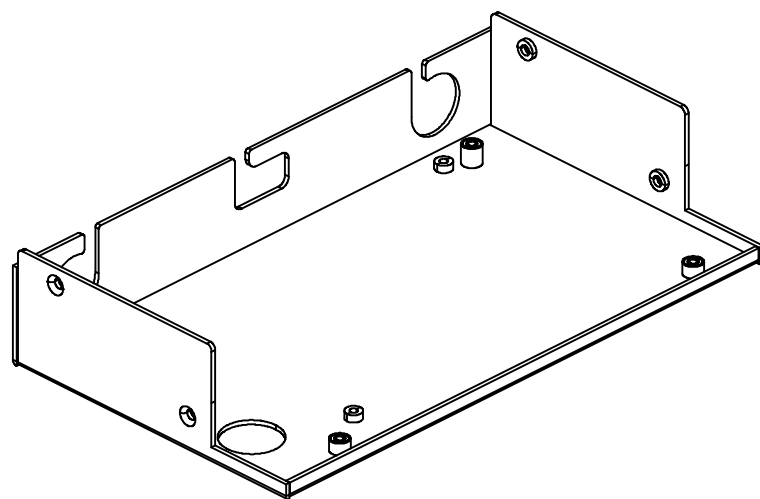
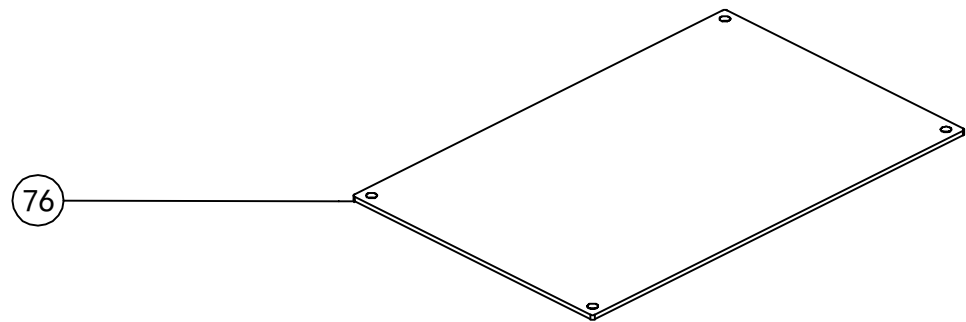


ITEM	DWG NO.	ENGLISH NAME	名称
72	7NN0474	Coffeecenter Powder Container Cover L	Coffeecenter 左粉盒盖组
73	7NN0475	Coffeecenter Powder Container Cover R	Coffeecenter 右粉盒盖组

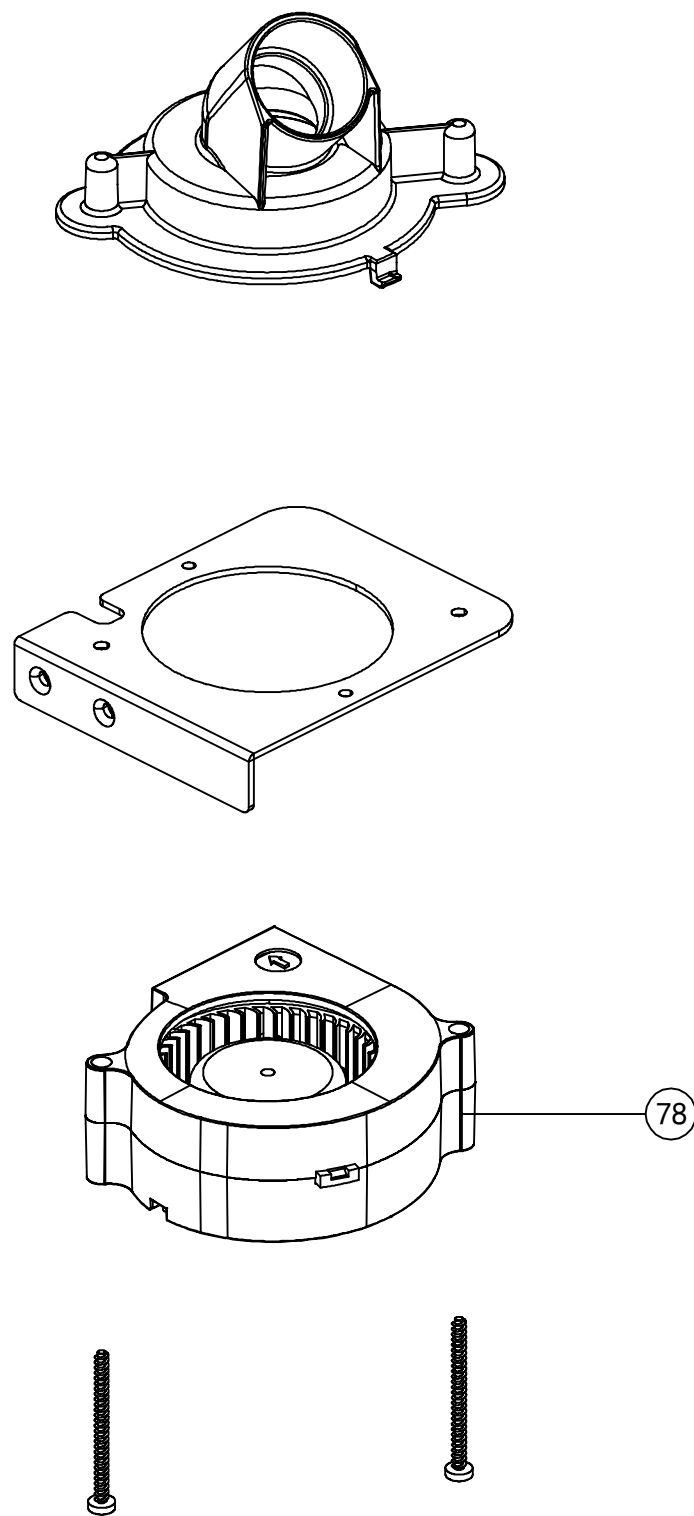


ITEM	DWG NO.	ENGLISH NAME	名称
74	8.G.2.0030	Seal ring of mixer moto	F2粉料搅拌电机轴密封圈
75	8.G.1.0026	O-ring $\phi 37.77 * \phi 2.62$	粉料搅拌室密封圈





ITEM	DWG NO.	ENGLISH NAME	名称
76	8D10072	P30 Main Board	P30主控板
77	8D30033	Switching power supply 100W	明纬电源/LRS-100-24



ITEM	DWG NO.	ENGLISH NAME	名称
78	8D30173	Blower	Coffee center风鼓机