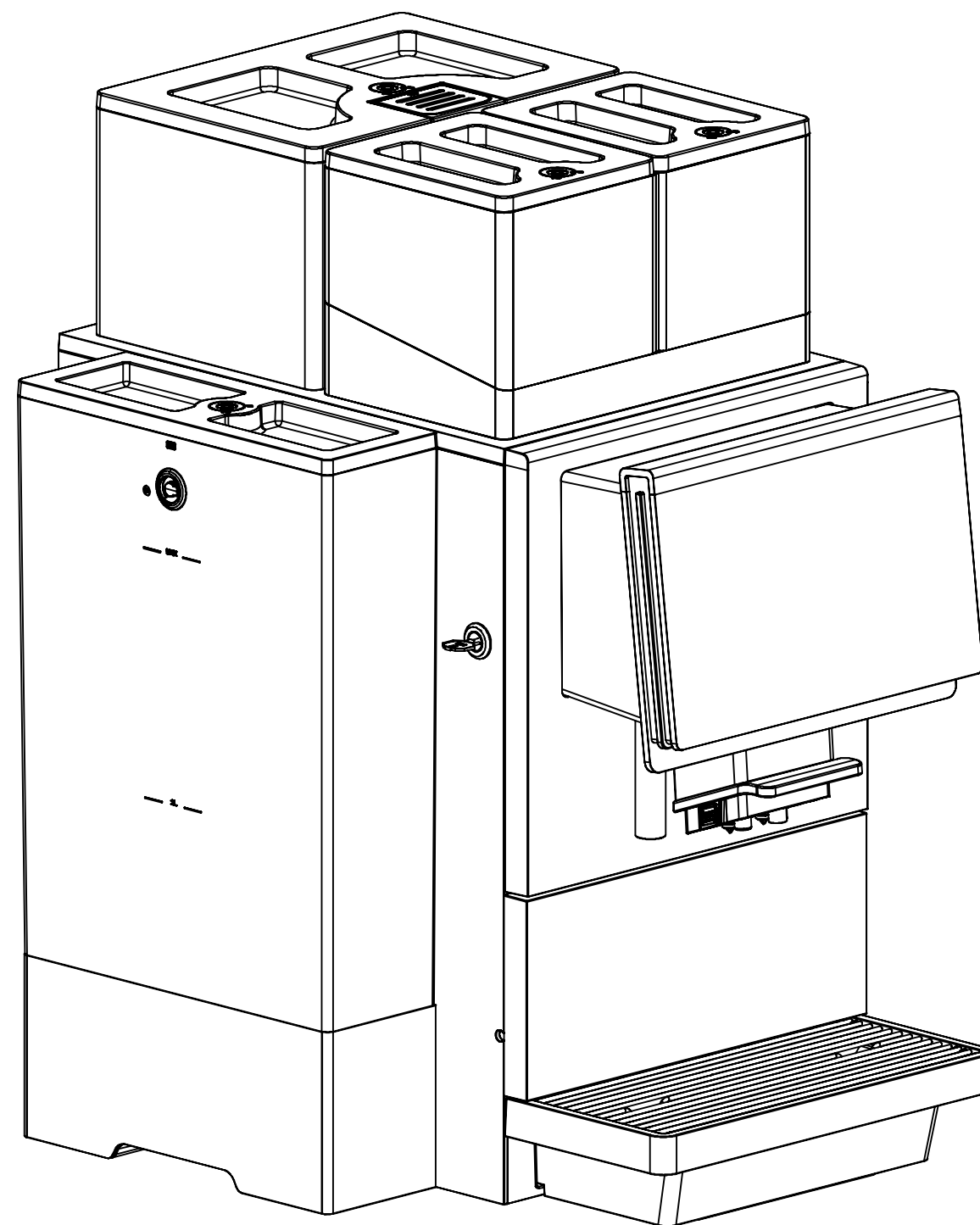


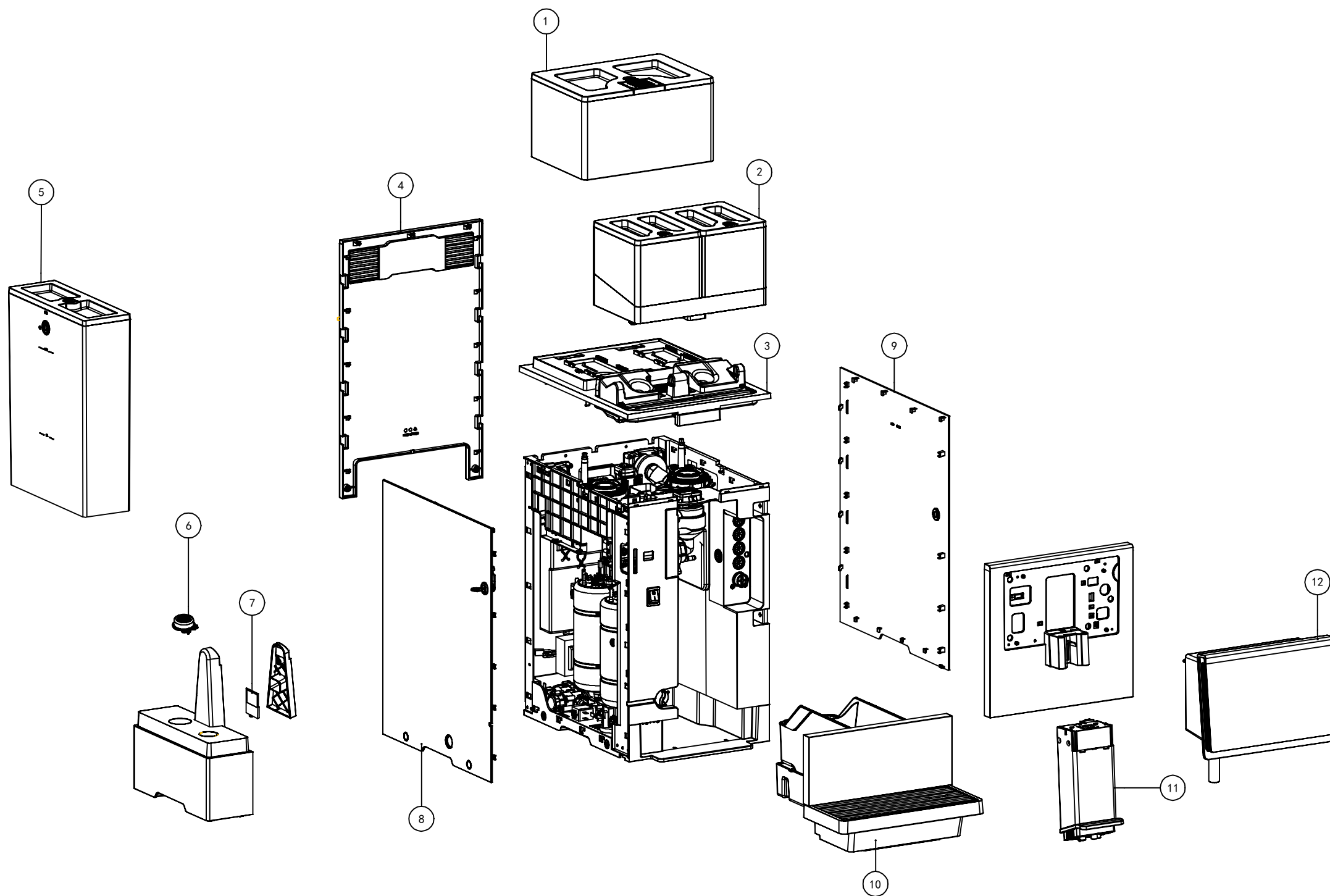
F200 Series Explosive view

ISSUE: 01

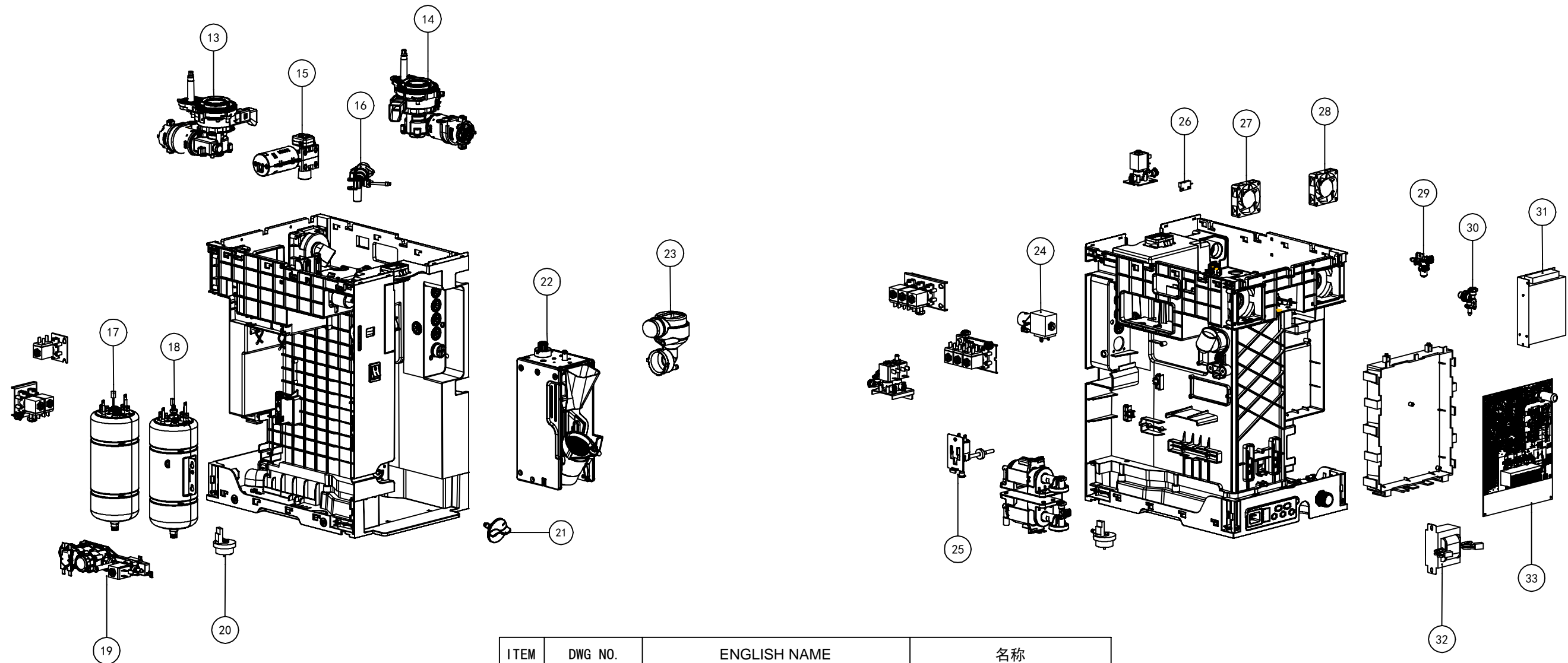


Content

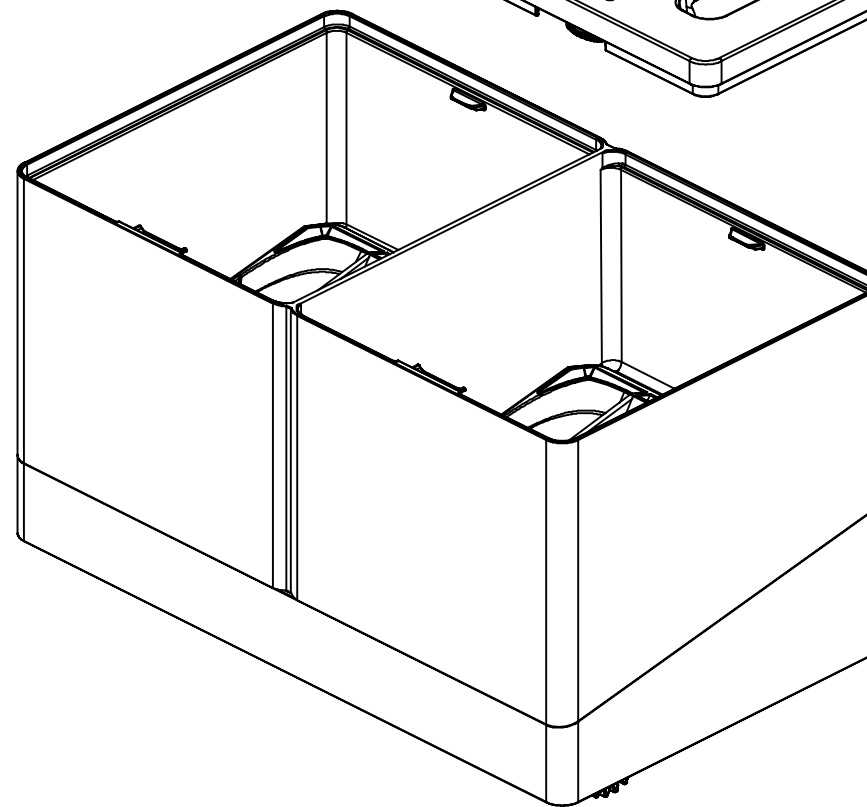
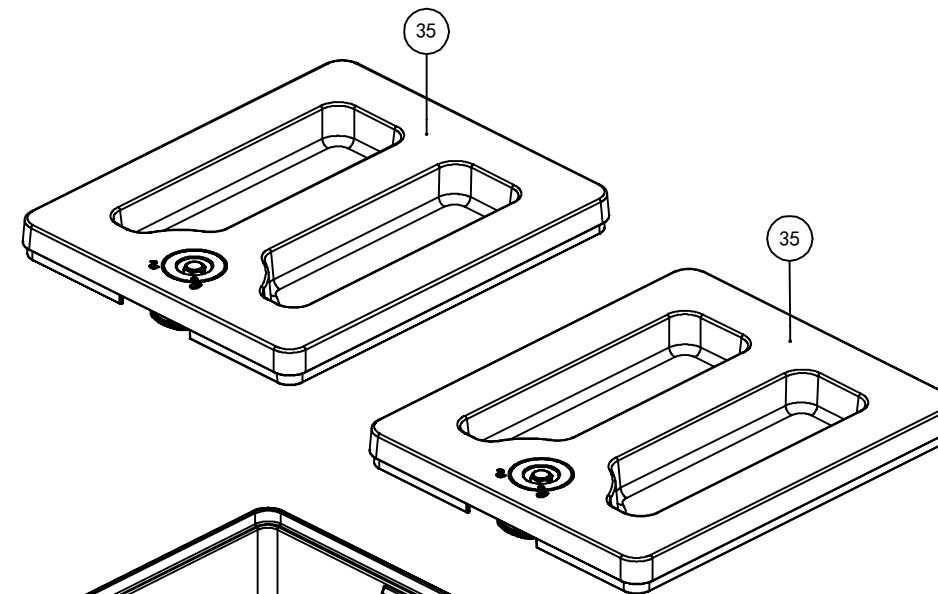
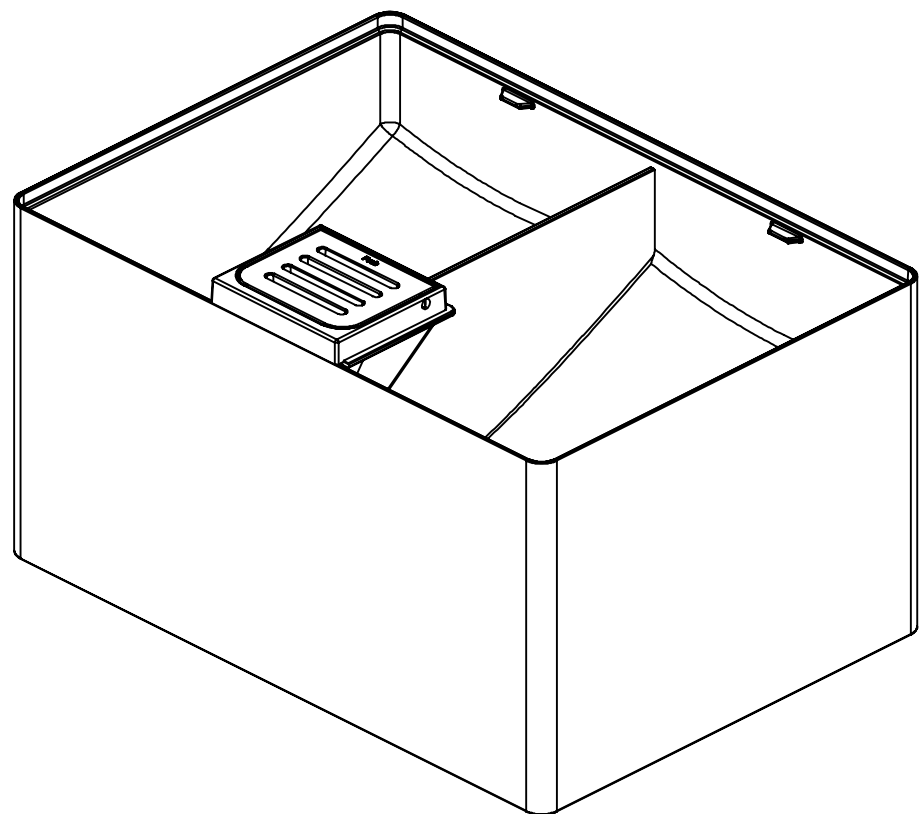
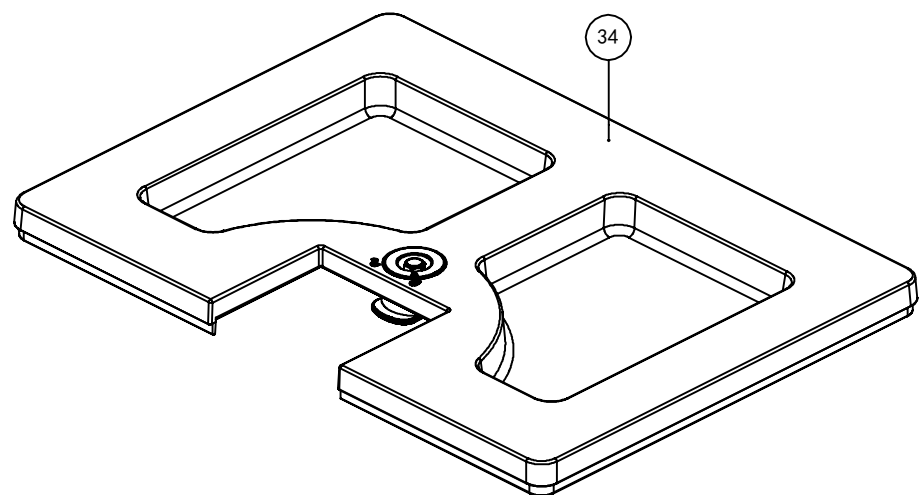
Appearance group.....	.01
F200 Main Unit group.....	.02
Coffee bean&powder box.....	.03
Water tank group.....	.04
F200 HMI assembly.....	.05
Integrated beverage group.....	.06
Drip tray group.....	.07
Brew group.....	.08
Boiler group.....	.09
F200 Pump group.....	.10
Ginder group.....	.11
Pressure regulating valve.....	.12
Solenoid valve group.....	.13
Solenoid valve group.....	.14
Blender motor group.....	.15



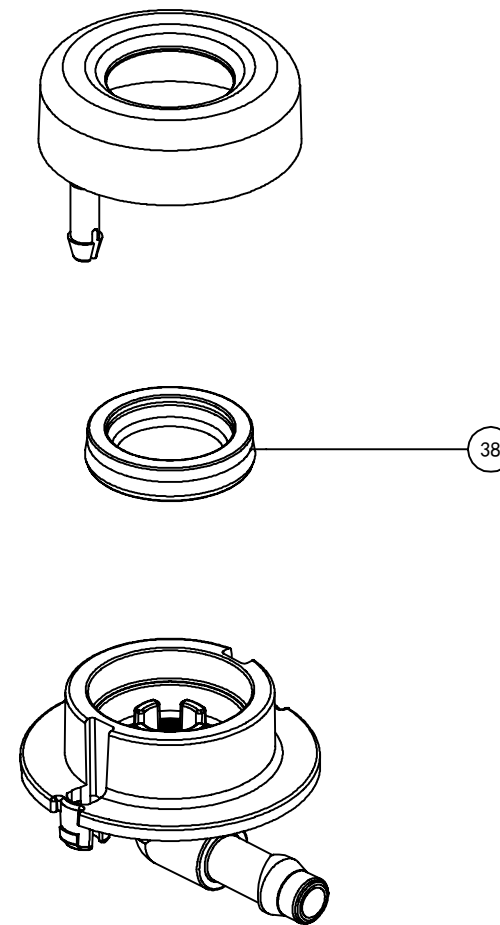
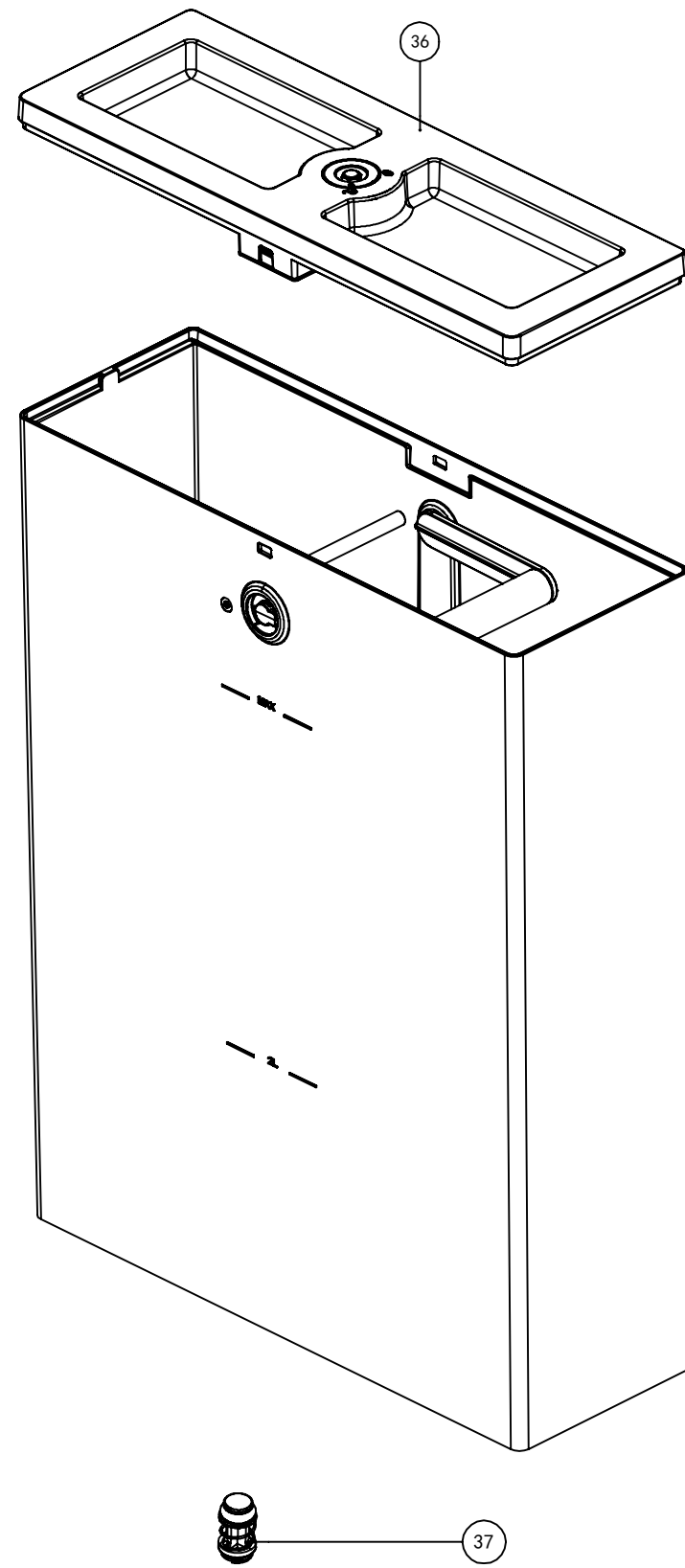
ITEM	DWG NO.	ENGLISH NAME	名称	ITEM	DWG NO.	ENGLISH NAME	名称
1	7NN0770	F200 Double Coffee bean box	F200双豆盒组	7	8D10027	Water level detection PCBA	新水位检测PCB
2	7NN0772	F200 Power box	F200粉盒组	8	7NN1375	F200 Left Side Cover (with Water tank)	F200左侧盖组(有水箱版)
3	7NN0774	F200 Upper cover Group	F200上盖组	8	7NN1376	F200 Left Side Cover (no Water tank)	F200左侧盖组(无水箱版)
3	7NN1155	BC100 Upper cover Group	BC100上盖组	9	8S10861	F200 Right Side Cover	F200右侧盖
4	7NN1378	F200 Rear Side Cover Set	F200后盖组	10	7NN0762	F200 Drip Tray Group	F200蓄水盘组
5	7NN1255	F200 Water tank	F200水箱组	11	7NN0775	F200 Beverage Outlet Assy	F200咖啡出口组
6	7NN0014	Water inlet valve group	导水座组件	12	7NN0766	F200 HMI_ASSY	F200 HMI组



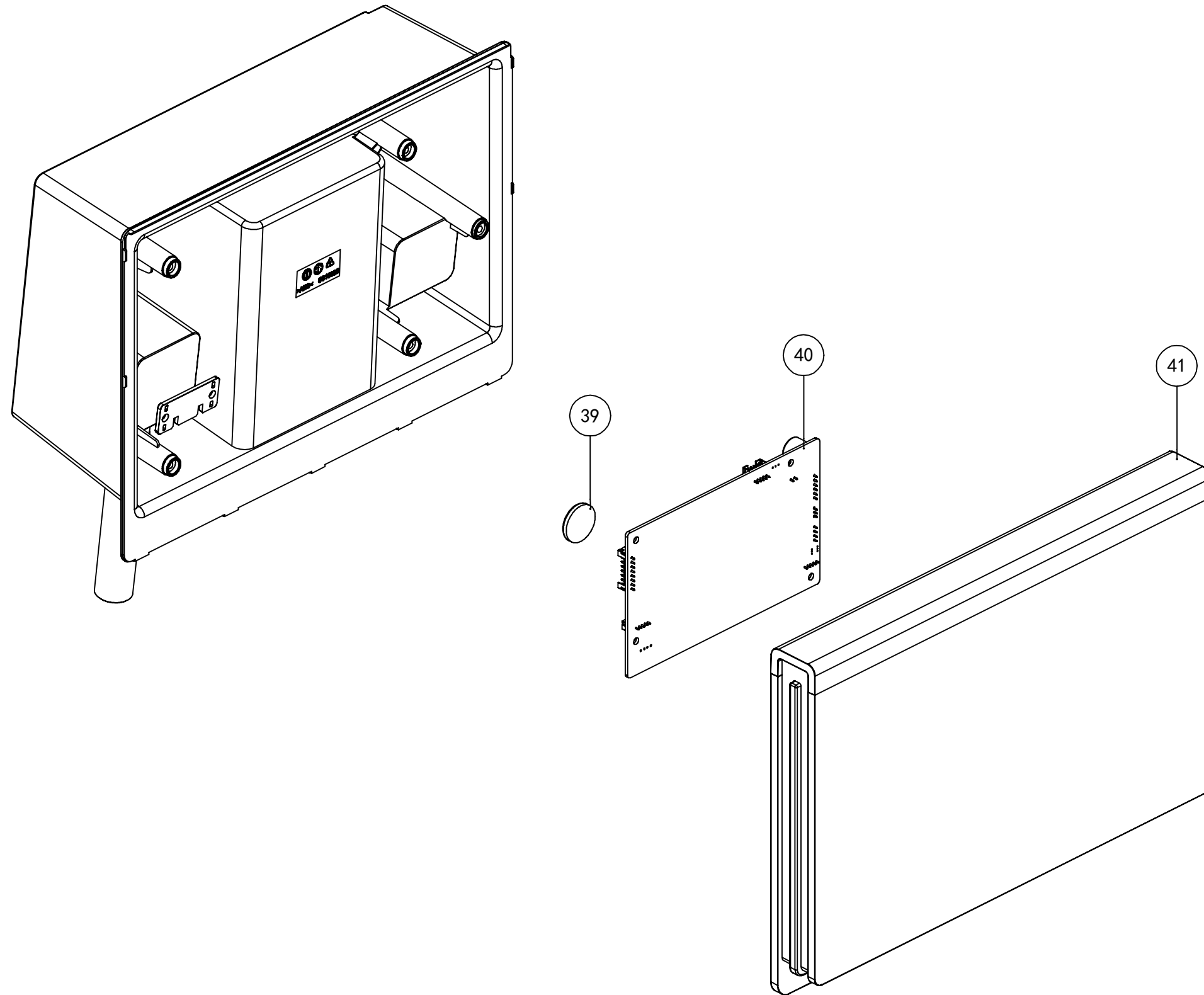
ITEM	DWG NO.	ENGLISH NAME	名称
13	7NN0768	F200 Grinder Group L	F200左磨豆组
14	7NN0767	F200 Grinder Group R	F200右磨豆组
15	7NN0888	F200 Encoder Group	F200传动反馈器组
16	7NN0243	Pressure regulating valve	Minibar 蓄压阀组
17	7NN0943	F200 Hot Water Boiler Group	F200 热水锅炉组
18	7NN0942	Steam Boiler Group	F200 蒸汽锅炉组
19	7NN0515	Water inlet assembly	F20自动进水阀组
20	8D30082	Flowmeter	流量计 (0度)
21	8S10899	F200 Descaling connector	F200除垢接头
22	7NN0040	F2 Brewer	F2 冲泡器组
23	7NN0070	F2Plus Blender Chamber Group	F2Plus 搅拌室组
24	8D30085V2	Pinch valve	夹管阀
25	7NN0763	Air Inlet Valve	F200 气阀组
26	8D30013	Reed switch	干簧管
27	8D30130	Fan	风扇
28	8D30019	F2 Fan	F2风扇
29	7NN0206	5bar Pressure regulating valve	两通蓄压阀 5bar
30	7NN0207	15bar Pressure regulating valve	两通蓄压阀 15bar
31	8D30033	Switching power supply	明纬开关电源
32	8D30037	Transformer	变压器
33	8D10074	F200 Main Board	F200主控板



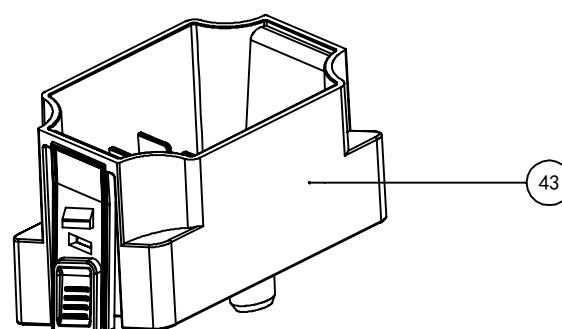
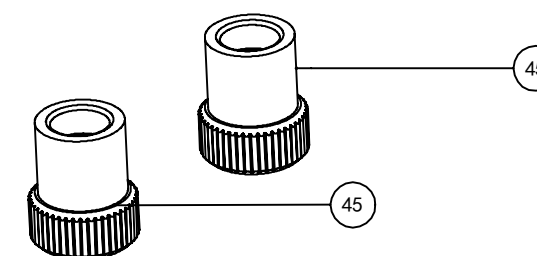
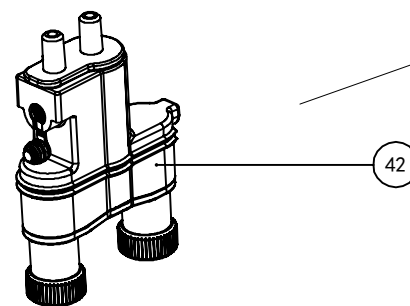
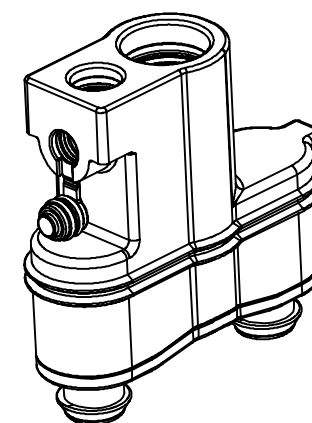
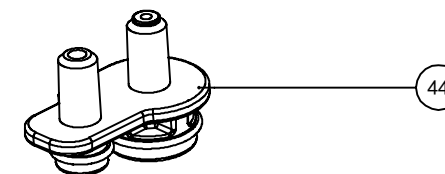
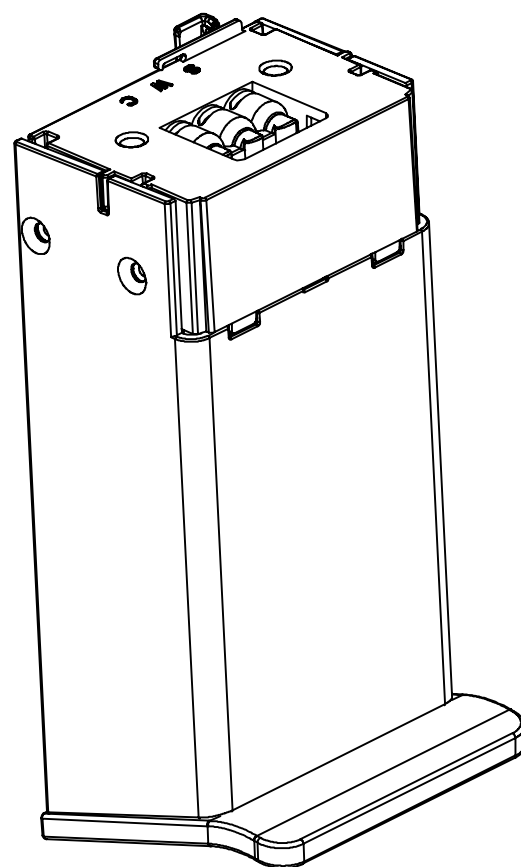
ITEM	DWG NO.	ENGLISH NAME	名称
34	7NN0890	F200 Bean container cover	F200豆盒盖组
35	7NN0892	F200 Powder container cover	F200粉盒盖组



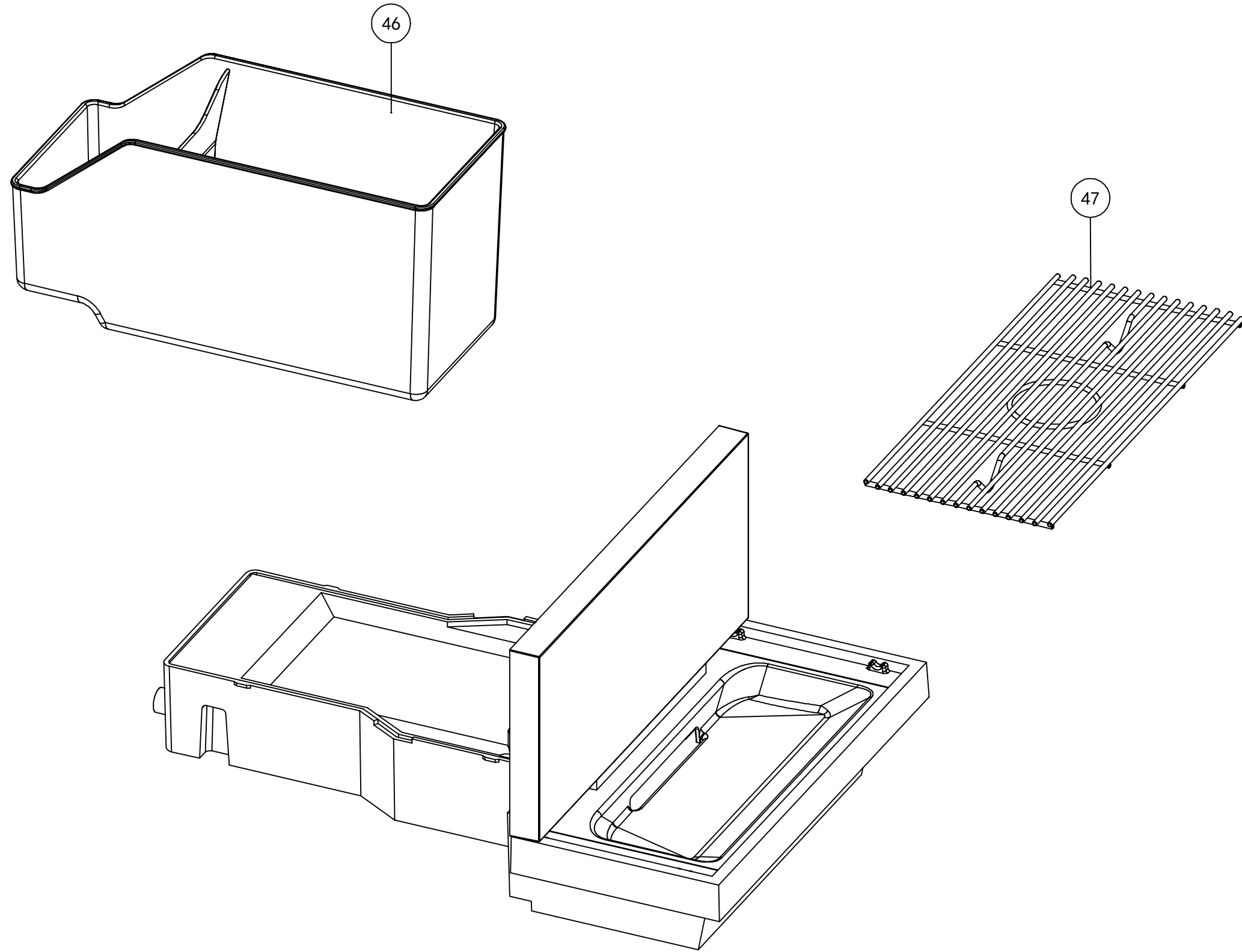
ITEM	DWG NO.	ENGLISH NAME	名称
36	8W60034	F200 Water container cover	F200水箱盖组
37	7NN0371	One-way valve	单向阀组
38	8G20014	Y-ring $\phi 22.67 * \phi 13.90$	导水座Y型密封圈



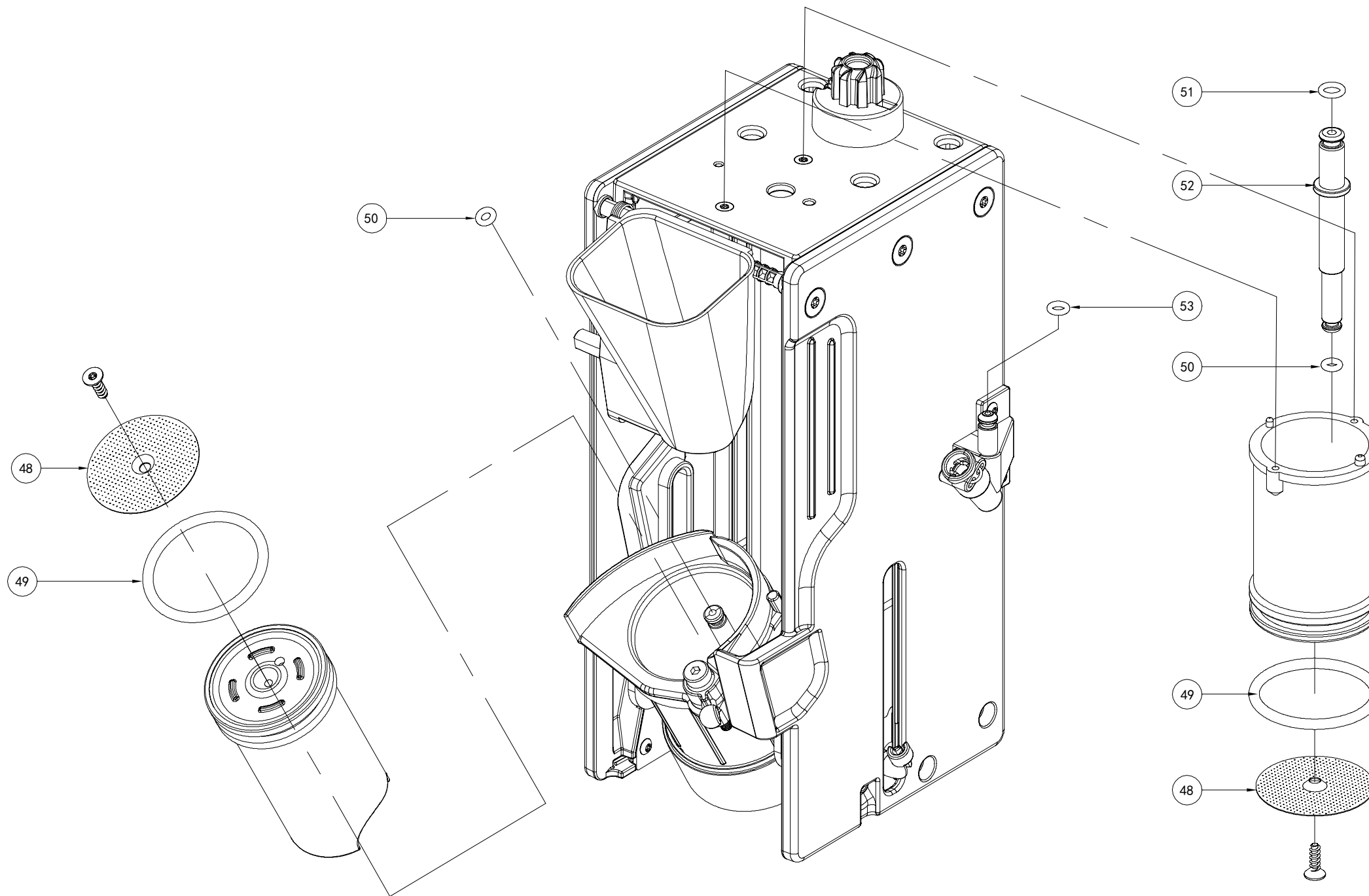
ITEM	DWG NO.	ENGLISH NAME	名称
39	8D30064	Battery (CR-2032/5BC)	纽扣电池
40	8D10030	HMI	HMI板
41	7NN1377	F200 Touch Group	F200触控组



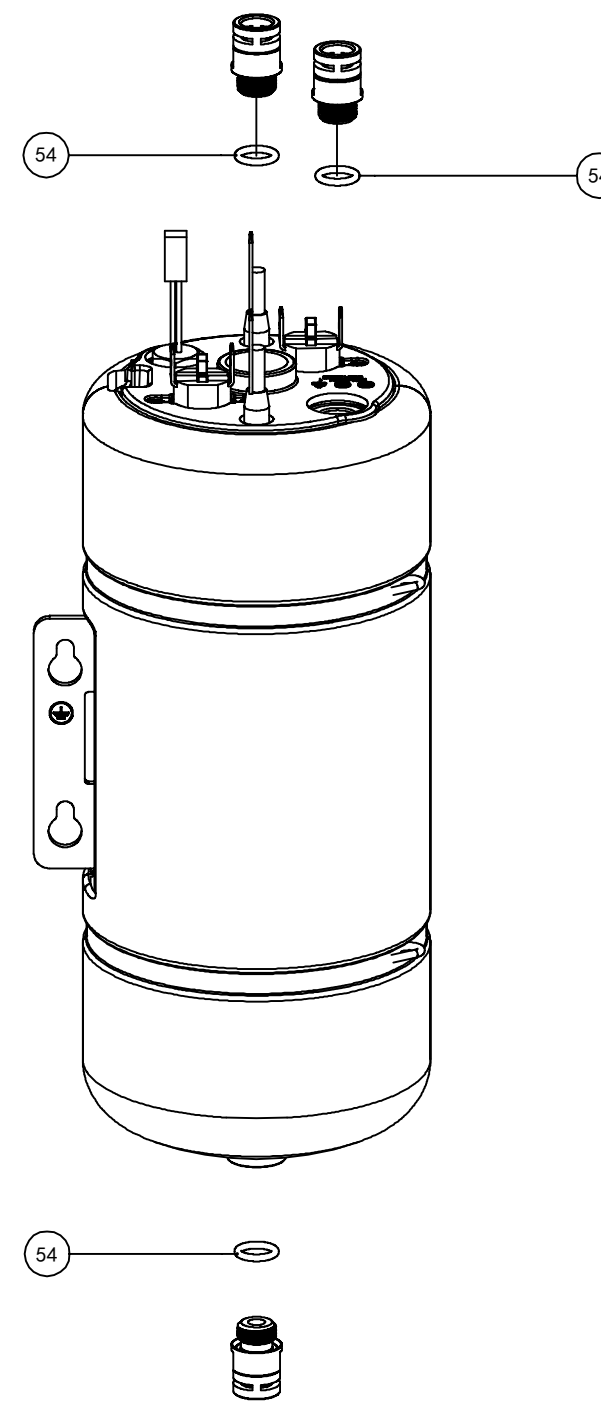
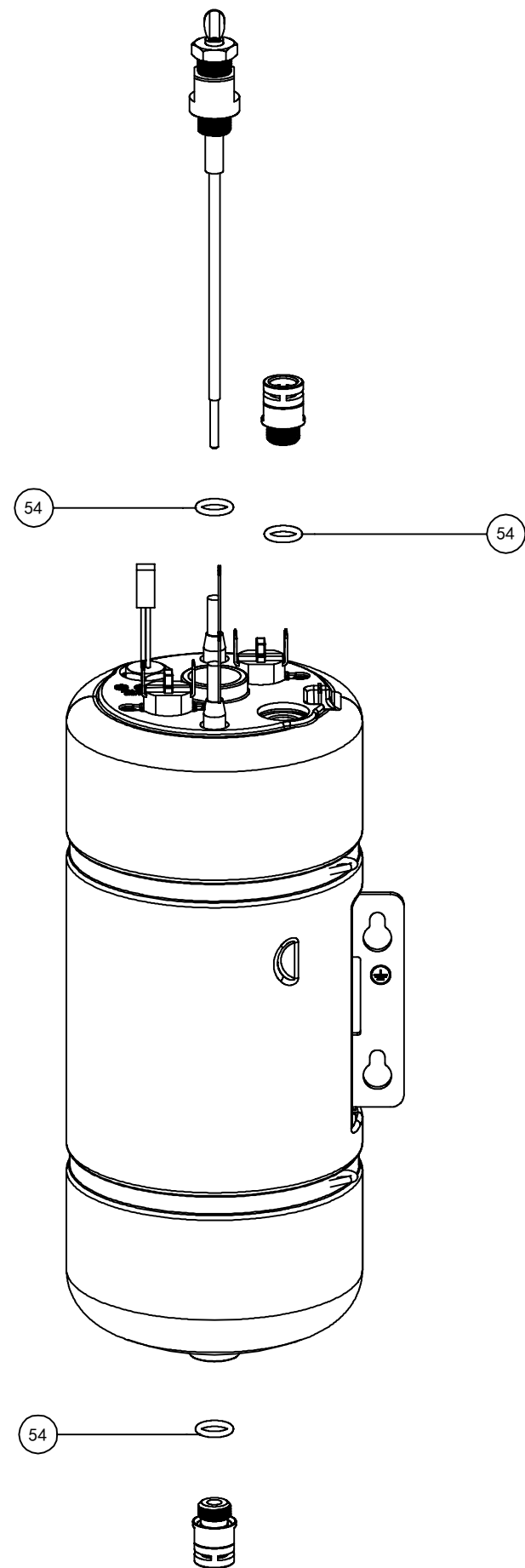
ITEM	DWG NO.	ENGLISH NAME	名称
42	7NN1331	Foamer	F200奶沫器组
43	7NN1254	F200 Beverage Outlet Cover	F200饮品出口组
44	7NN1379	F200 Steam Nozzle set	F200蒸汽喷嘴组
45	8G20035	Foam applicato	奶沫器缓冲嘴



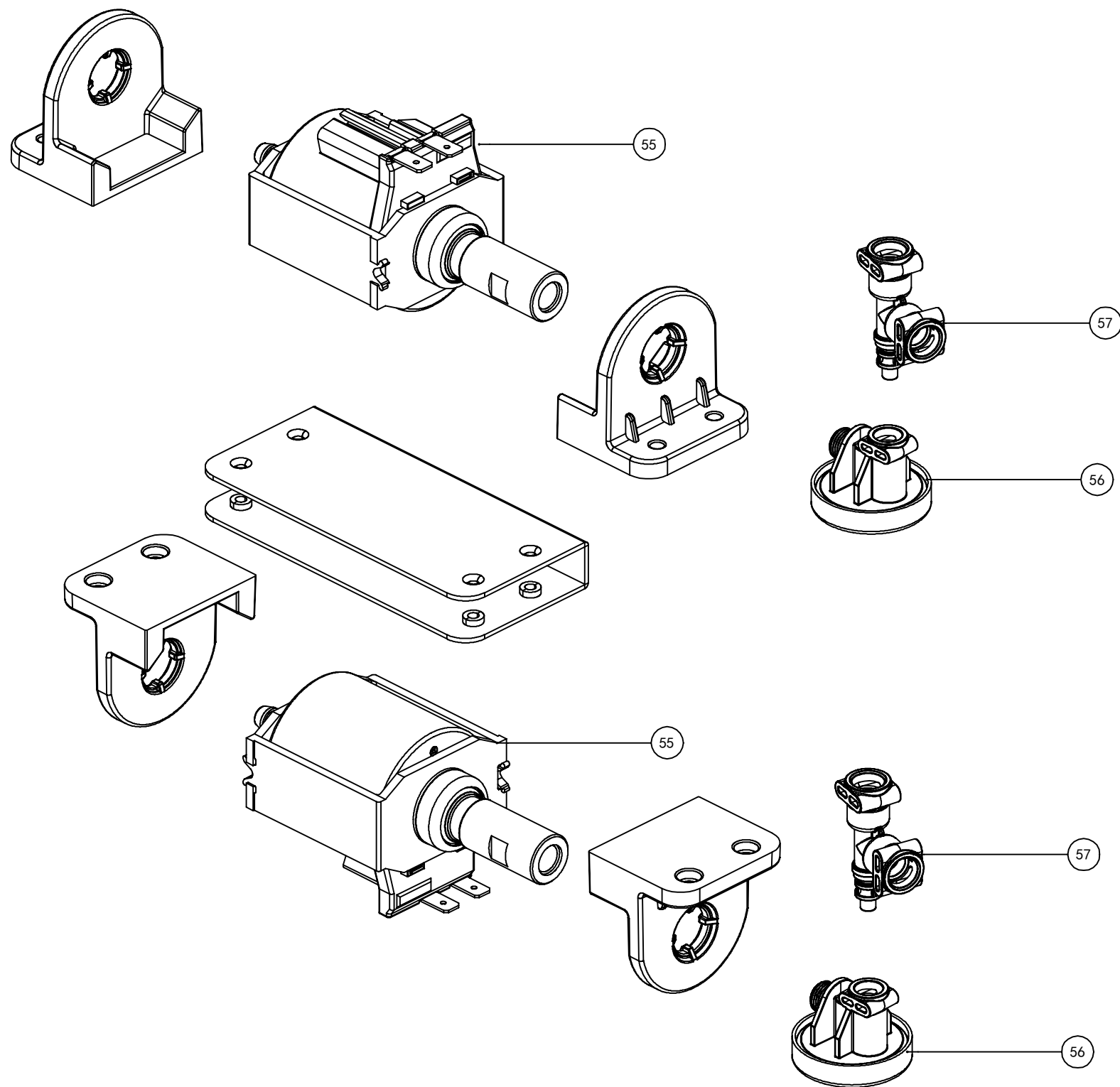
ITEM	DWG NO.	ENGLISH NAME	名称
46	8S10898	F200 Coffee Grounds Box	F200渣盒
47	8W60046	F200 Stainless steel Cup tray	F200不锈钢托杯盘



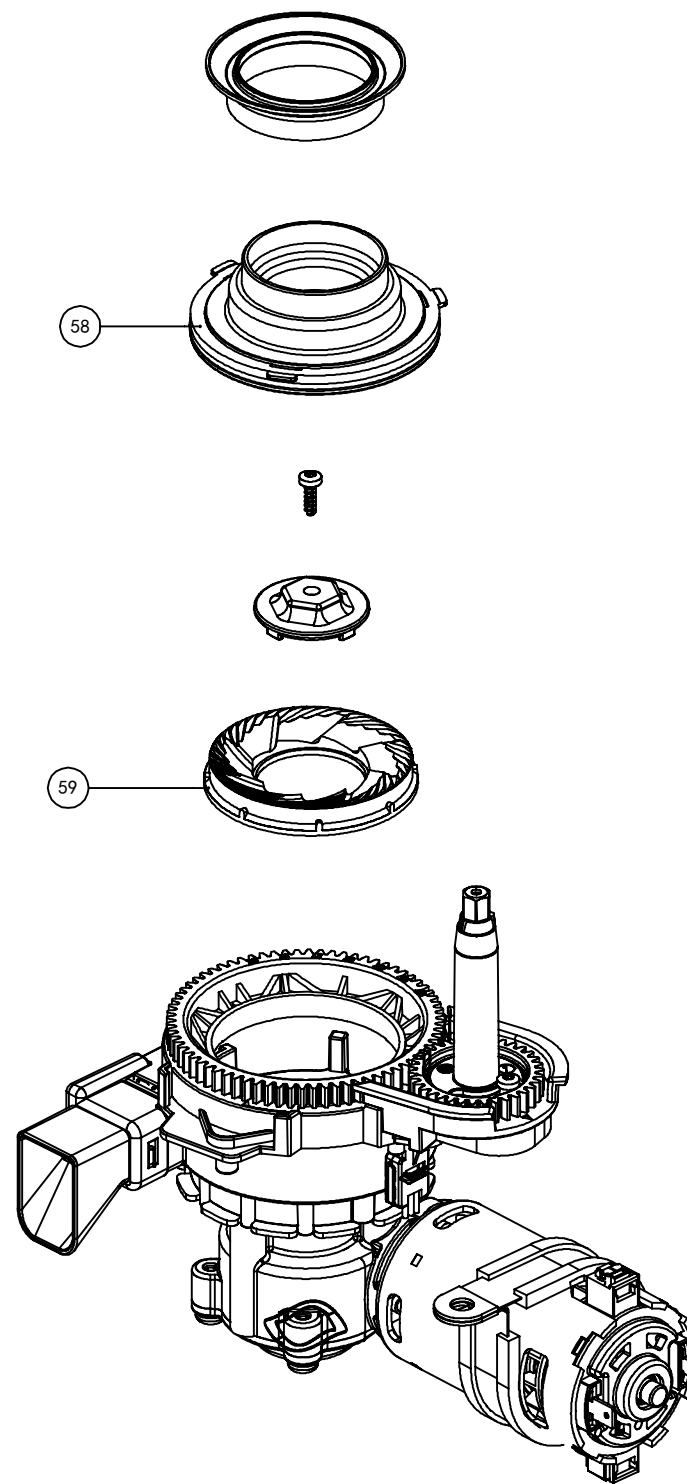
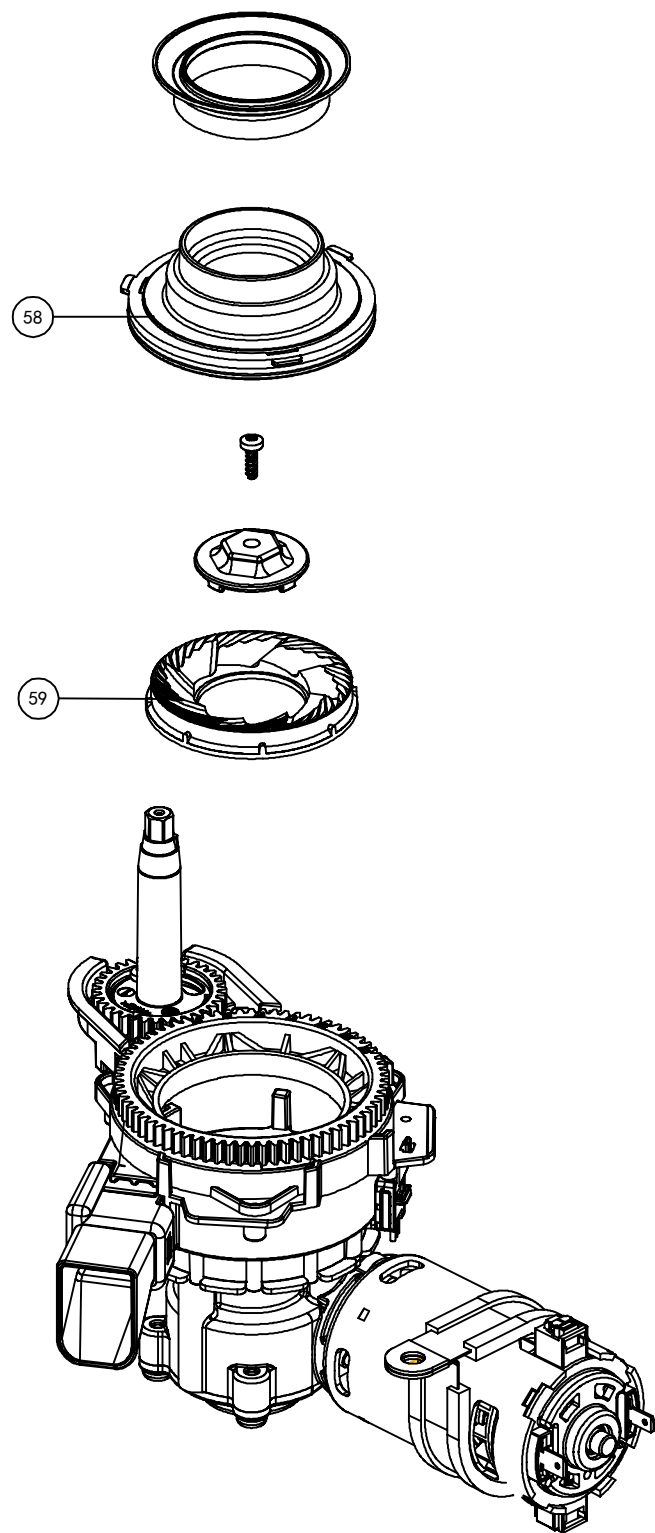
ITEM	DWG NO.	ENGLISH NAME	名称
48	8W60055	Coffee filter	冲煮头过滤网
49	8G10004	Brew Group Seal Ring	冲煮头密封圈
50	8G10008	O-ring $\phi 3.3 * \phi 2.0$	铜套密封圈
51	8G10013	Coffee Outlet Seal Ring	冲泡器咖啡出口密封圈
52	8S10171	Coffee Outlet	冲泡器咖啡出口
53	8G10012	O-ring $\phi 4 * \phi 1.8$	导向轴密封圈



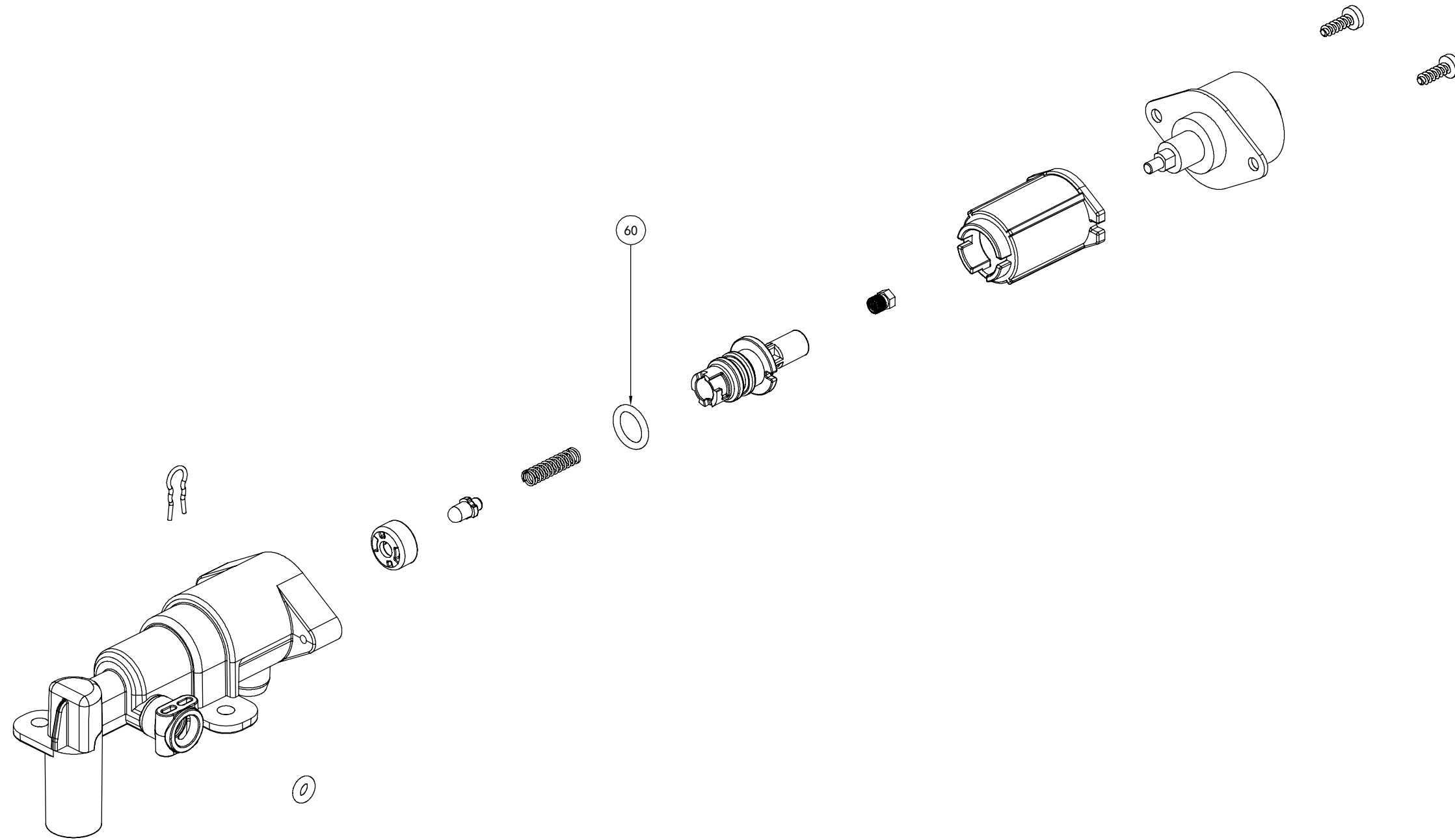
ITEM	DWG NO.	ENGLISH NAME	名称
54	8G10039	Boiler Joint Seal Ring	锅炉接头密封圈



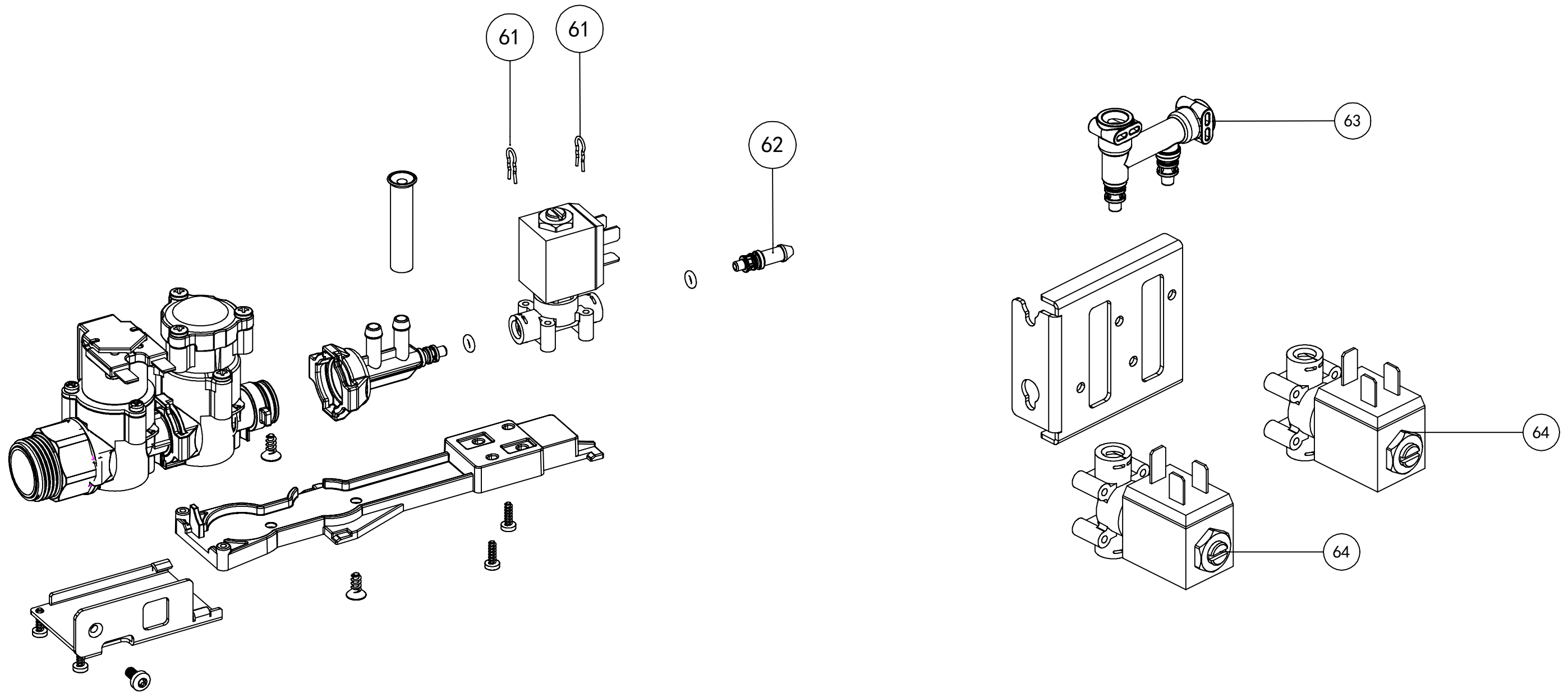
ITEM	DWG NO.	ENGLISH NAME	名称
55	8D30051	Pump (CP04)	水泵 (CP04)
56	7NN0012	Membrane controller group	稳压阀组
57	8S10144	T Connector	三通转接头



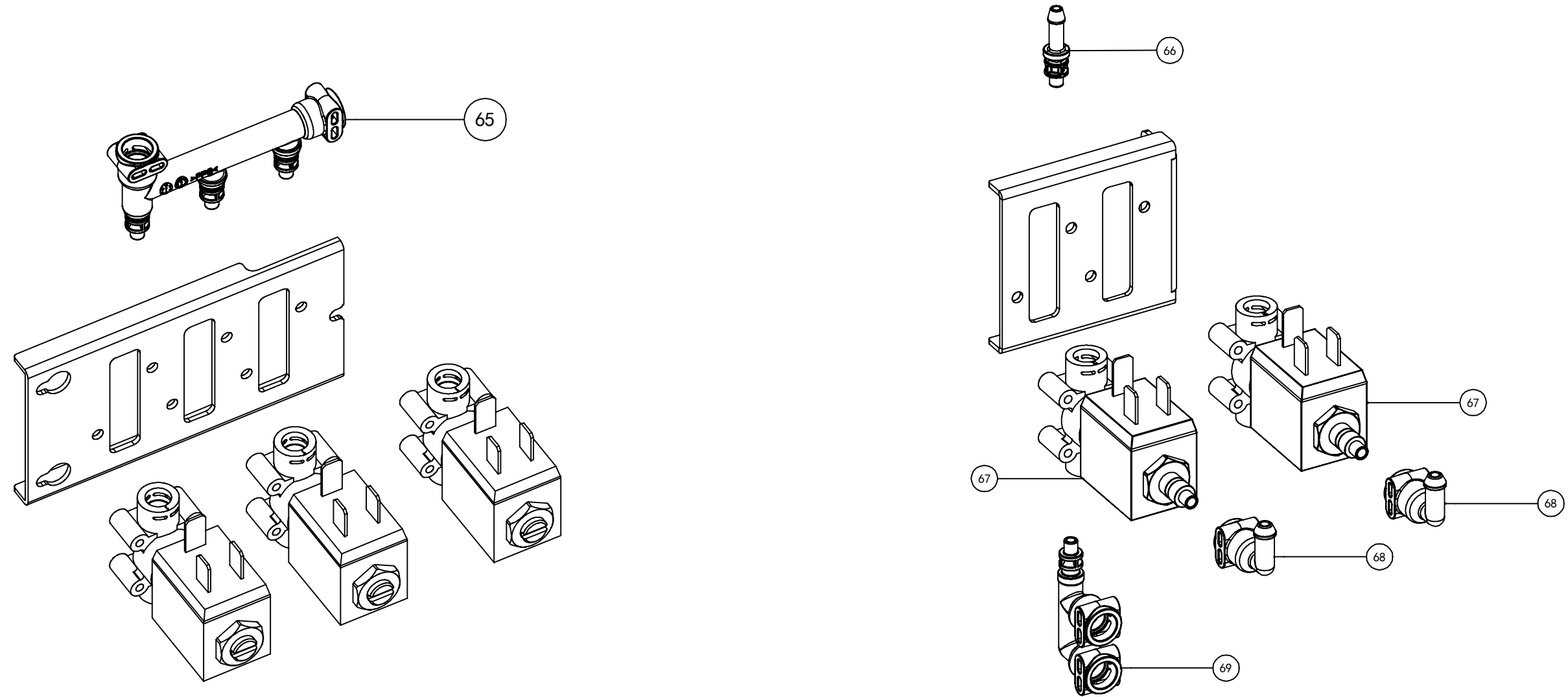
ITEM	DWG NO.	ENGLISH NAME	名称
58	7NN0119	Upper grinder burr assembly	上刀盘组
59	8T10003	Grinder burr	磨豆刀



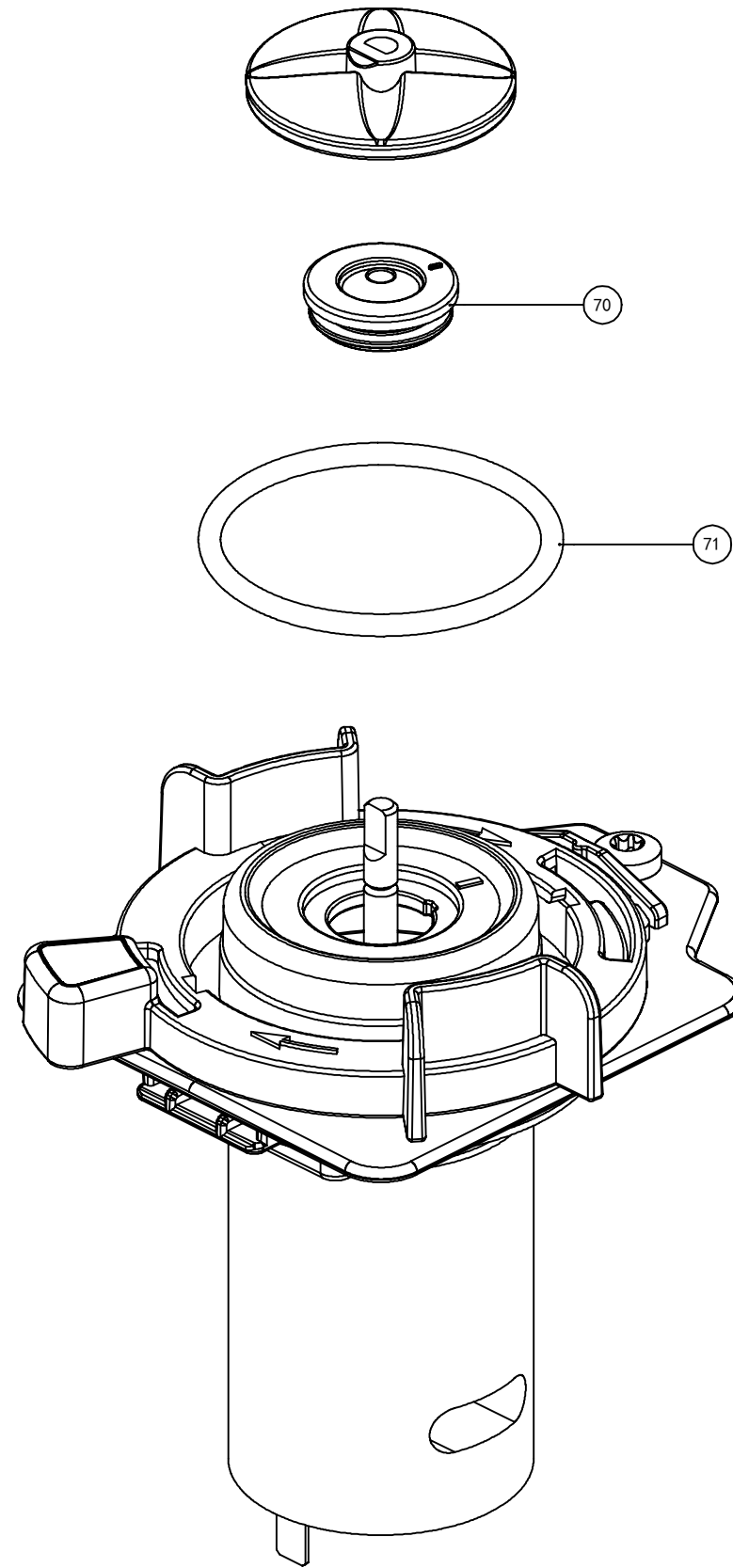
ITEM	DWG NO.	ENGLISH NAME	名称
60	8G10033	Pressure Valve Seal Ring	蓄压阀密封圈



ITEM	DWG NO.	ENGLISH NAME	名称
61	8W50023	Spring clip	通用弹簧夹
62	8S10350	D6 Connector	软管接头 (5*9)
63	8S10522	4-way Connector	电磁阀组四通接头
64	8D30021R1	Solenoid valve-2W	两通电磁阀



ITEM	DWG NO.	ENGLISH NAME	名称
65	8S10521	five-way linker	电磁阀组五通接头
66	8S10342	Hose connector (3*6)	软管接头 (3*6)
67	8D30034R1	Solenoid valve-3W	三通电磁阀
68	8S10320	Hose adater	硬管转软管接头
69	8S10059	Fitting	F型接头



ITEM	DWG NO.	ENGLISH NAME	名称
70	8G20030	Seal ring of mixer moto	F2粉料搅拌电机轴密封圈
71	8G10026	O-ring $\phi 37.77 * \phi 2.62$	粉料搅拌室密封圈