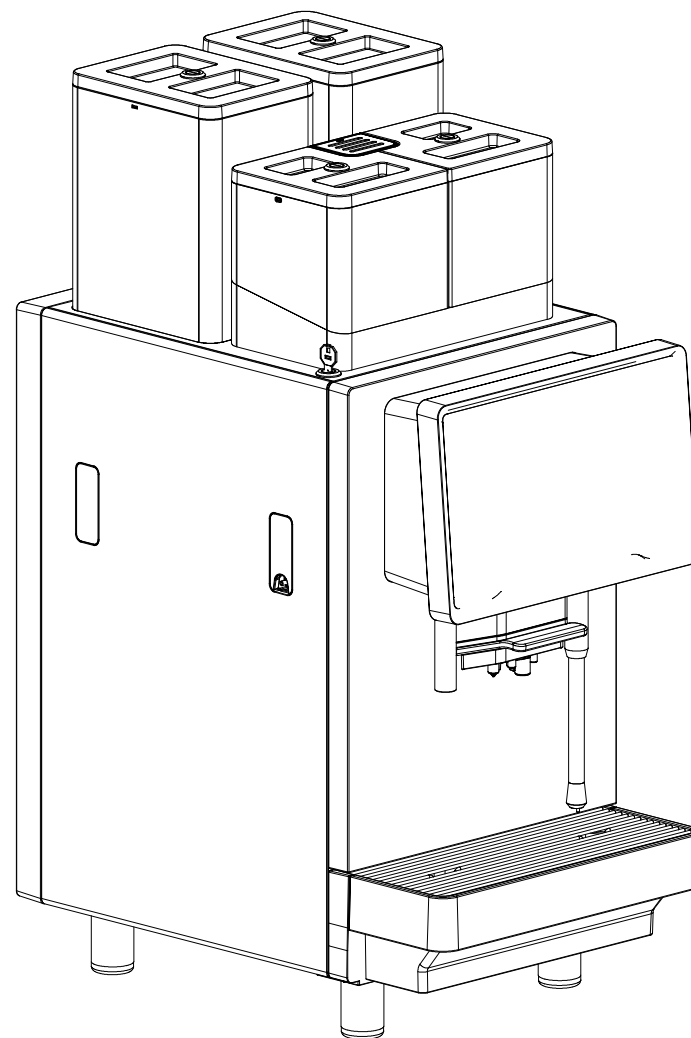


F30

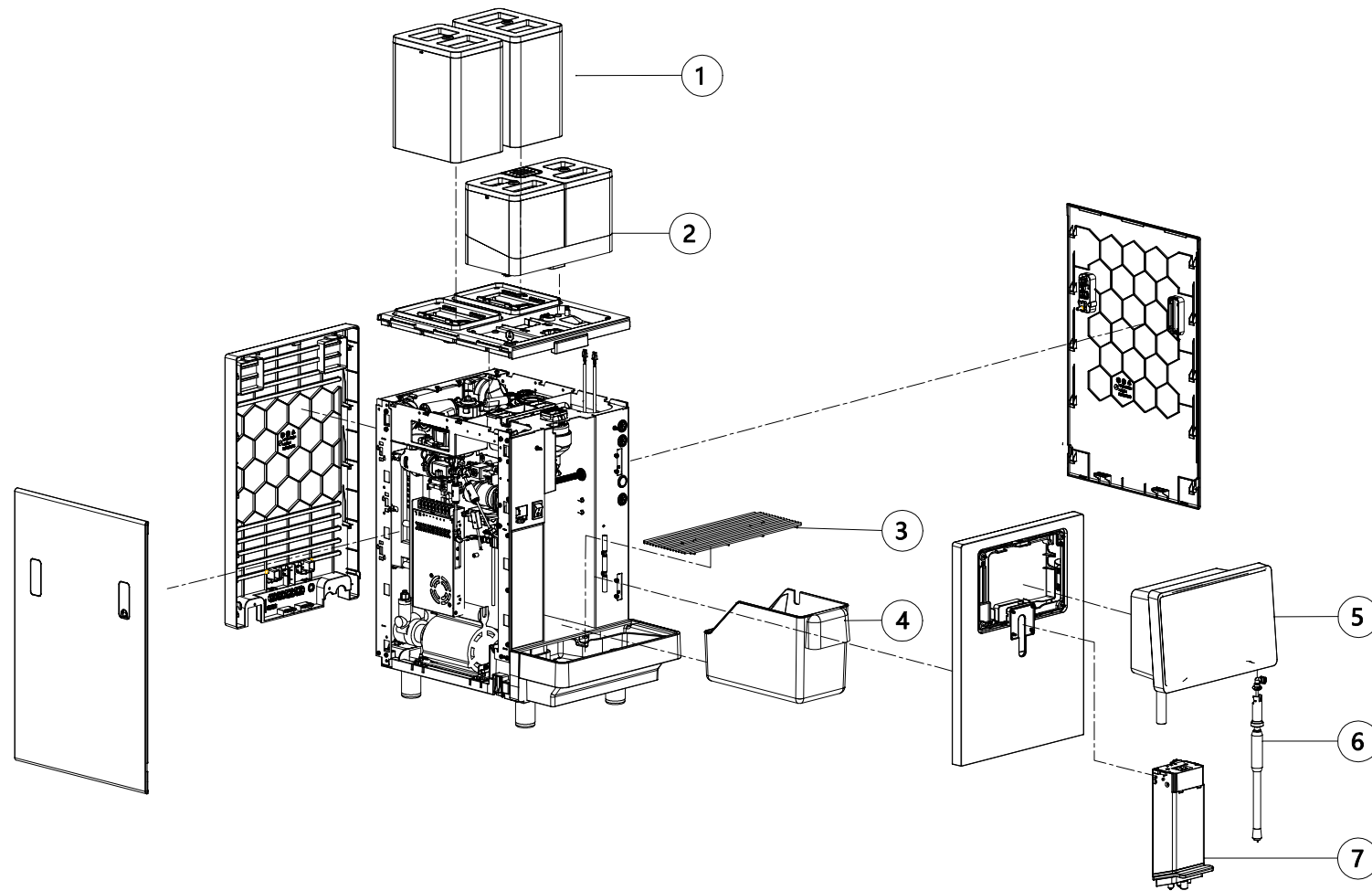
Explosive view

ISSUE: 01

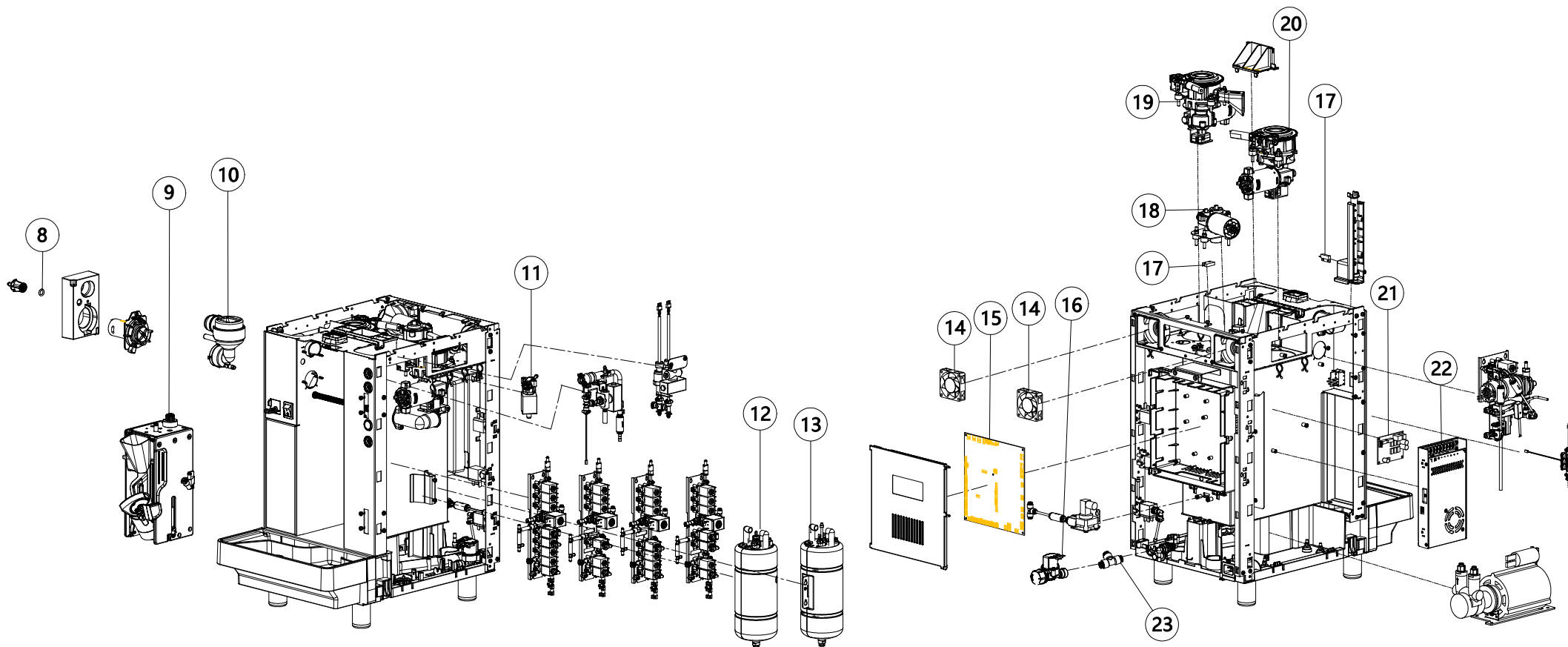


Content

ITEM	NAME	PAGE
1	Appearance group.....	01
2	Body holder.....	02
3	Coffee bean&powder box.....	03
4	HMI assy and Beverage Outflow Assy.....	04
5	Brew group.....	05
6	Boiler group.....	06
7	Pump and flowmeter group.....	07
8	Ginder group.....	08
9	Solenoid valve group.....	09
10	Solenoid valve group.....	10
11	Solenoid valve group.....	11
12	Solenoid valve group.....	12
13	Milk pump group.....	13
14	Milk three-way valve group.....	14
15	Blender motor group.....	15
16	Milk test assy and Pressure transmitter assy.....	16

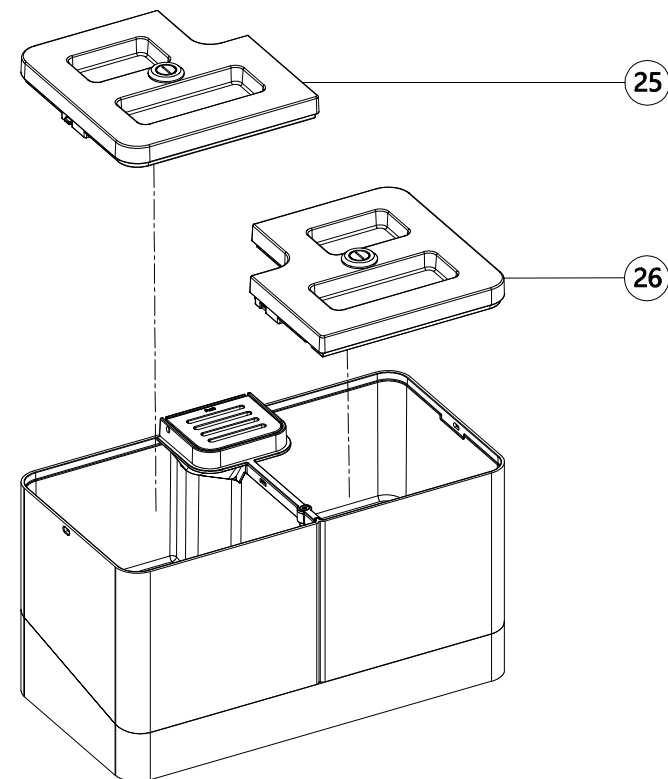
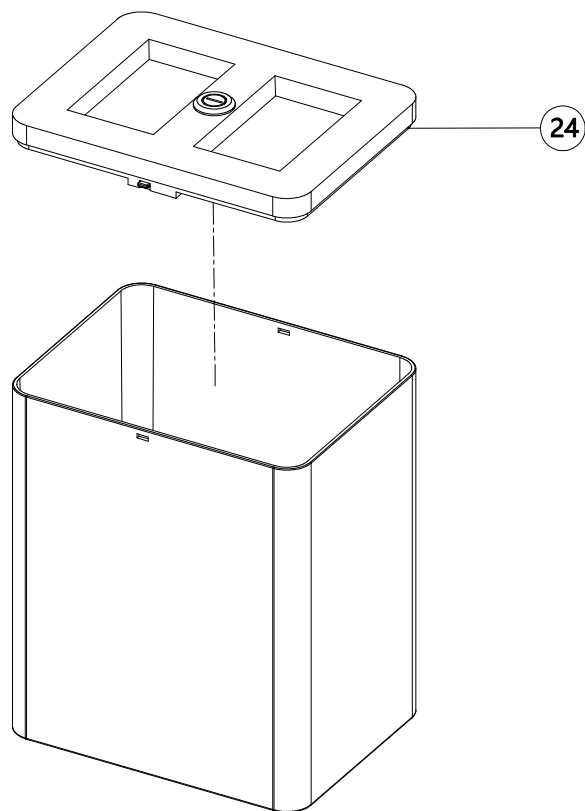


ITEM	DWG NO.	ENGLISH NAME	名称
1	7NN0049	Coffee bean box	F2豆盒组
	7NN0138	Coffee bean box(key)	F2豆盒组(锁)
2	7NN0073	powder box	F2Plus粉盒组
3	8W60017	Stainless steel Cup tray	不锈钢托杯盘
4	8S10241	Coffee ground box	F2渣盒
5	7NN0590	HMI Assy	F30 HMI组
6	7NN0309	Steam rod Assy	F3 蒸汽杆组件
7	7NN1170	Beverage Outflow Assy	F20饮品出口组

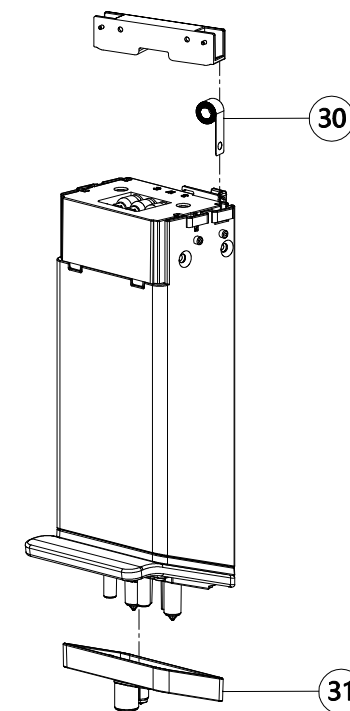
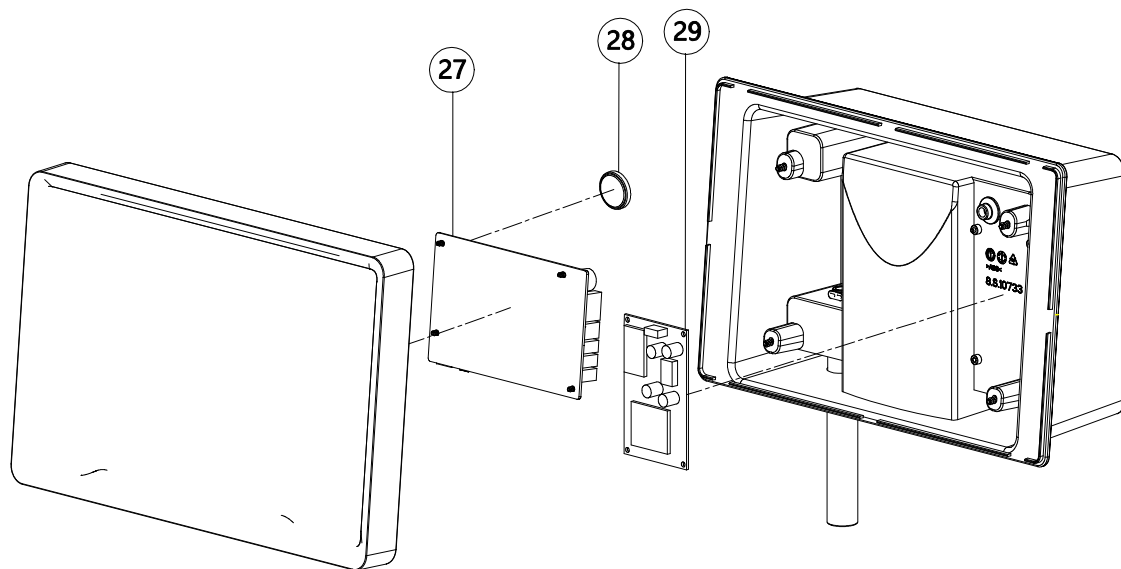


ITEM	DWG NO.	ENGLISH NAME	名称
8	8G10018	O-ring φ9.5*φ2.65	F2搅拌器进水密封圈
9	7NN0373	Brew group	F3冲泡器
10	7NN0070	Blender chamber group	F2 plus 搅拌室组
11	8D30029	Solenoid valve	泄压电磁阀
12	7NN0600	Steam boiler group	蒸汽锅炉组
13	7NN0601	Hot water boiler group	热水锅炉组

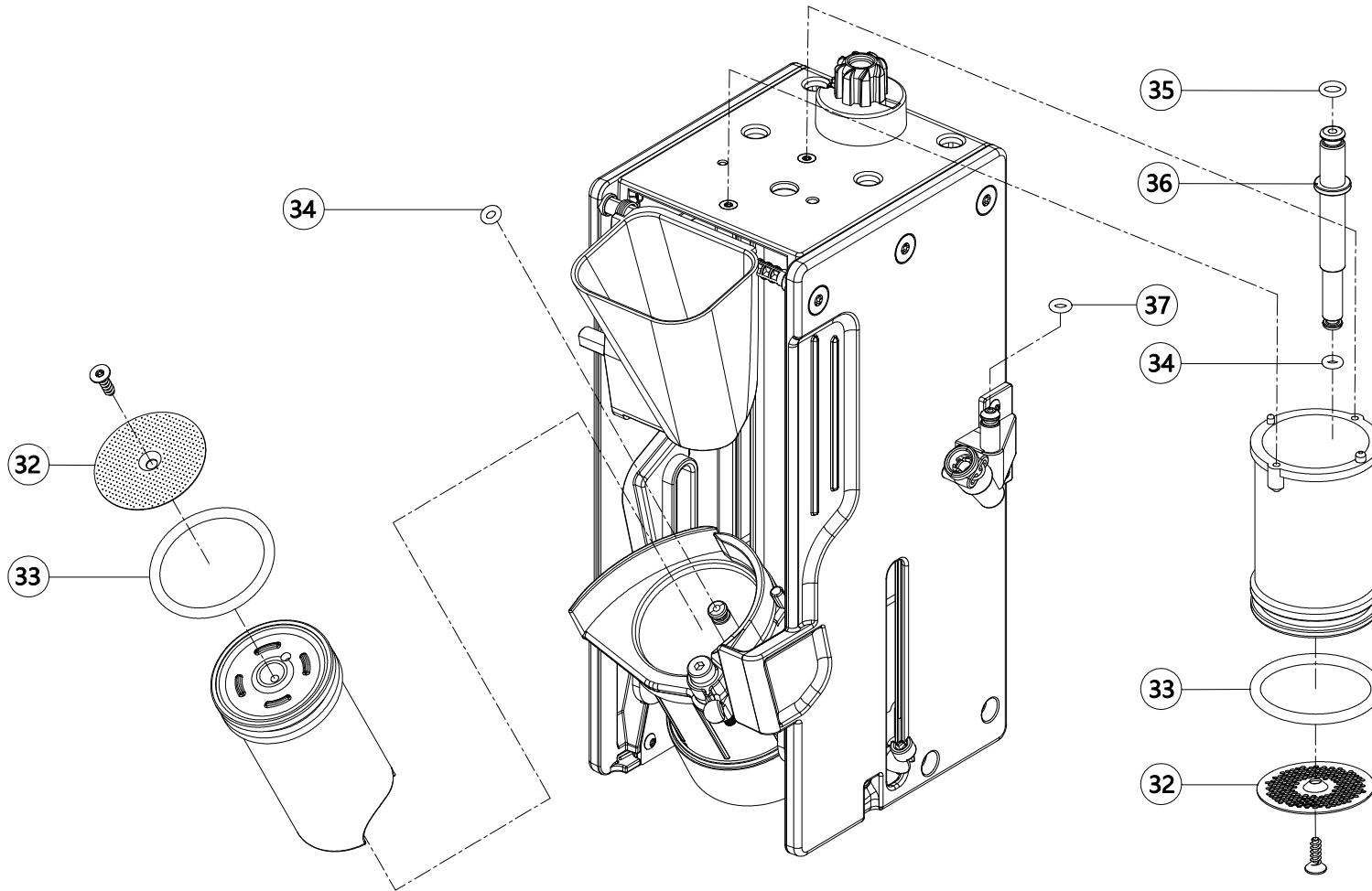
ITEM	DWG NO.	ENGLISH NAME	名称
14	8D30019	Fan	风扇
15	8D10071	Control PCBA	F30主控板
16	8D30127	Automatic water inlet valve	F3进水阀组(无减压)
17	8D30013	Reed switch	干簧管
18	7NN0472	Drive motor system	F30传动组
19	7NN0715	Right Ginder group	F30右磨豆组
20	7NN0714	Left Ginder group	F30左磨豆组
21	8D10070	BLDC PCBA	BLDC控制板
22	8D30235	Switching power supply	开关电源350W
23	8S20048	Three-way linker (2x6mm+1x4mm)	三通快插接头 (2x6mm+1x4mm)



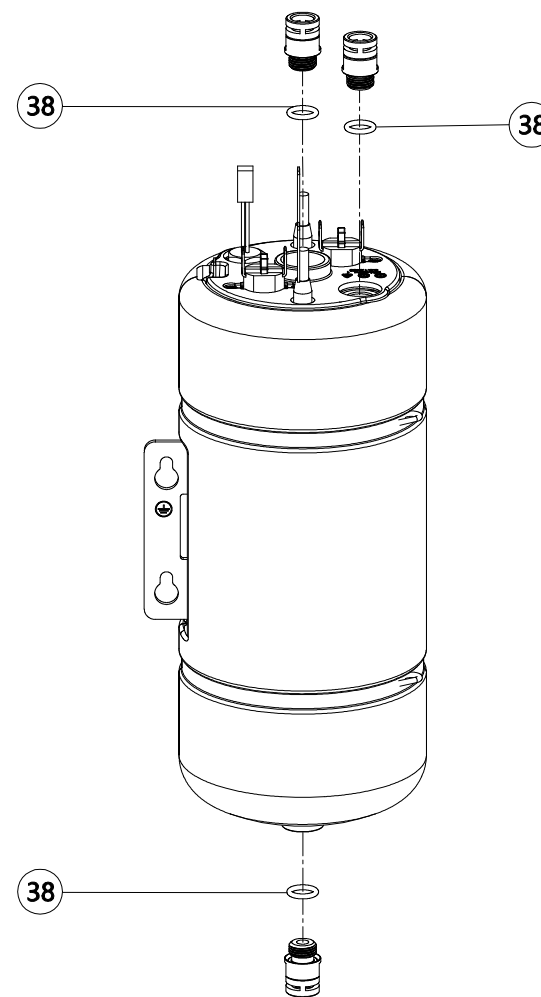
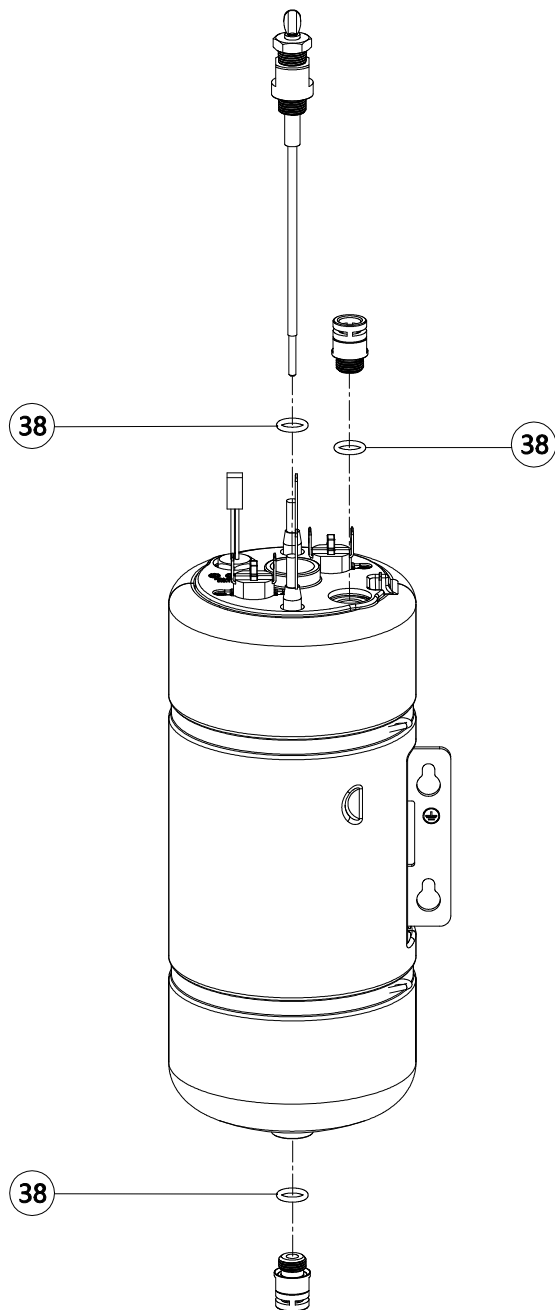
ITEM	DWG NO.	ENGLISH NAME	名称
24	8S10201	Bean container cover	豆盒盖
	7NN0137	Bean container cover (key)	豆盒盖组(锁)
25	7NN0071	Powder container cover-L	左粉盒盖组
26	7NN0072	Powder container cover-R	右粉盒盖组



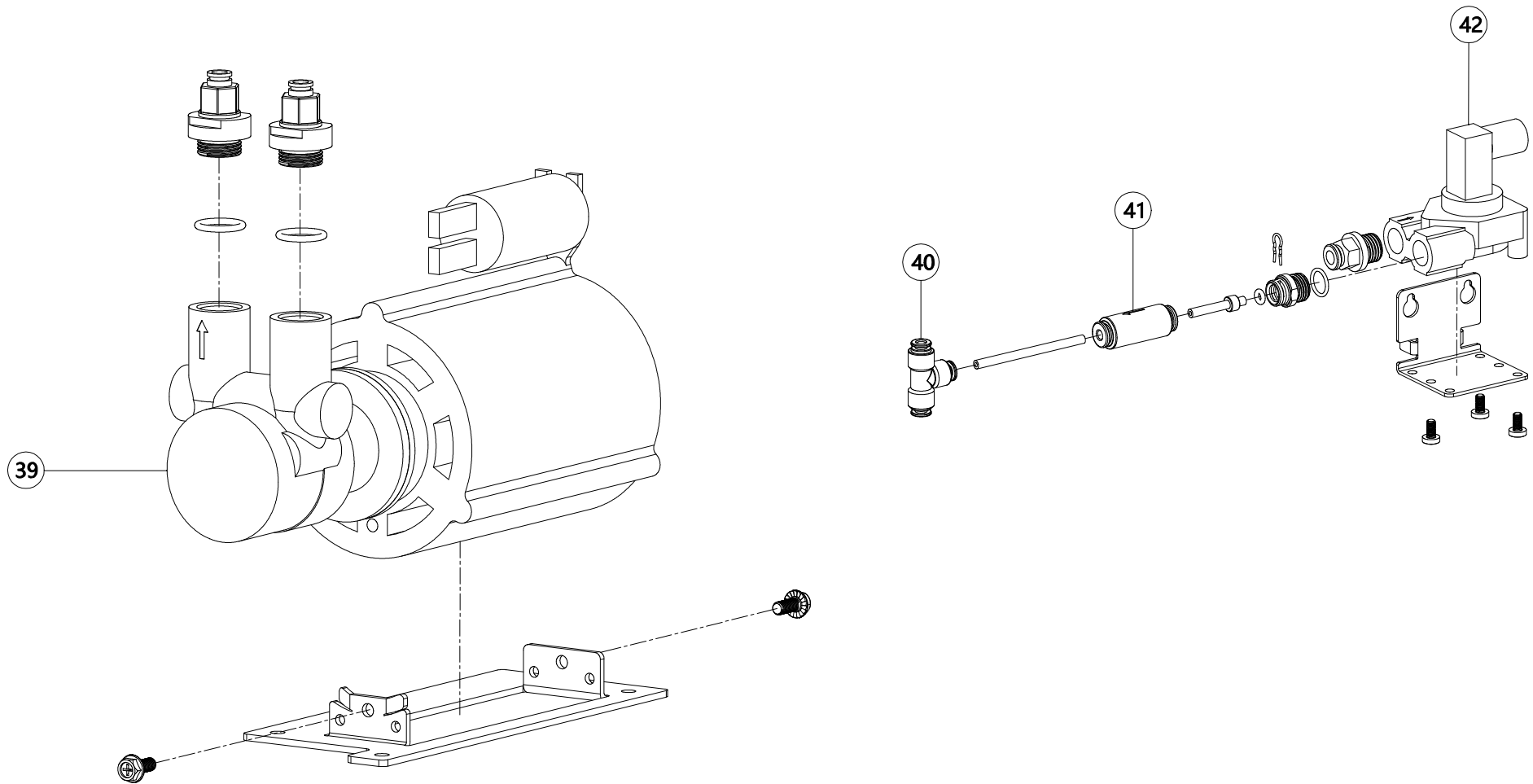
ITEM	DWG NO.	ENGLISH NAME	名称
27	8D10030	HMI PCBA	HMI板
28	8D30064	Battery (CR-2032/5BC)	纽扣电池
29	7NN0092	IOT Assy	IOT 模块
30	8W50036	Constant spring	F3饮品出口定力弹簧
31	7NN0905	Beverage Outlet Cover	饮品出口盖



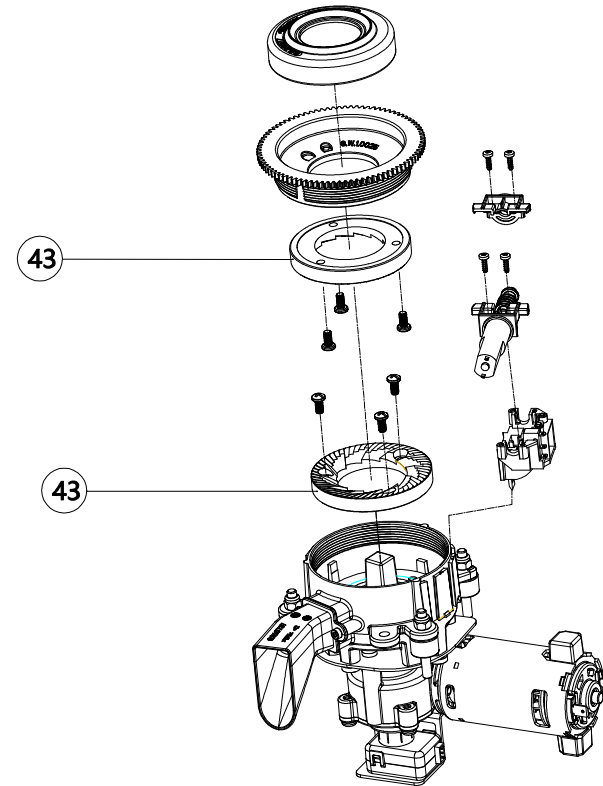
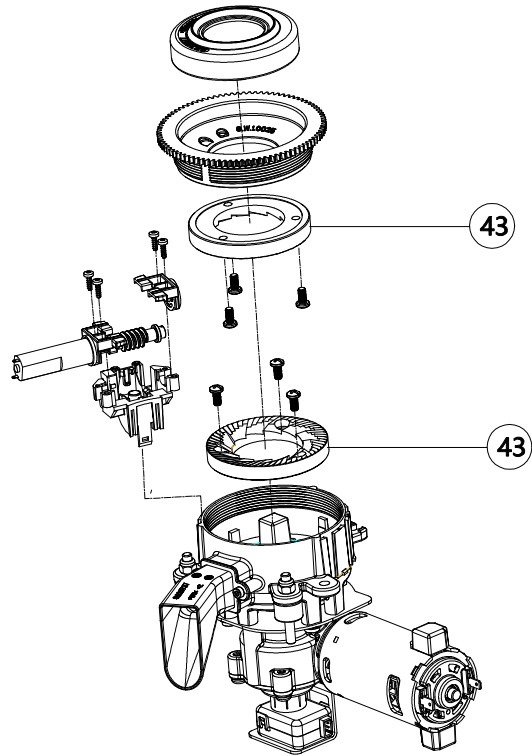
ITEM	DWG NO.	ENGLISH NAME	名称
32	8W60055	Coffee Filter	双层咖啡滤网
33	8G10004	O-ring $\phi 37.69 \times \phi 3.53$	冲煮头密封圈
34	8G10008	O-ring $\phi 3.3 \times \phi 2.0$	铜套密封圈
35	8G10013	O-ring $\phi 5.6 \times \phi 1.8$	冲泡器咖啡出口密封圈
36	8S10171	Coffee outlet	冲泡器咖啡出口
37	8G10012	O-ring $\phi 4 \times \phi 1.8$	导向轴密封圈



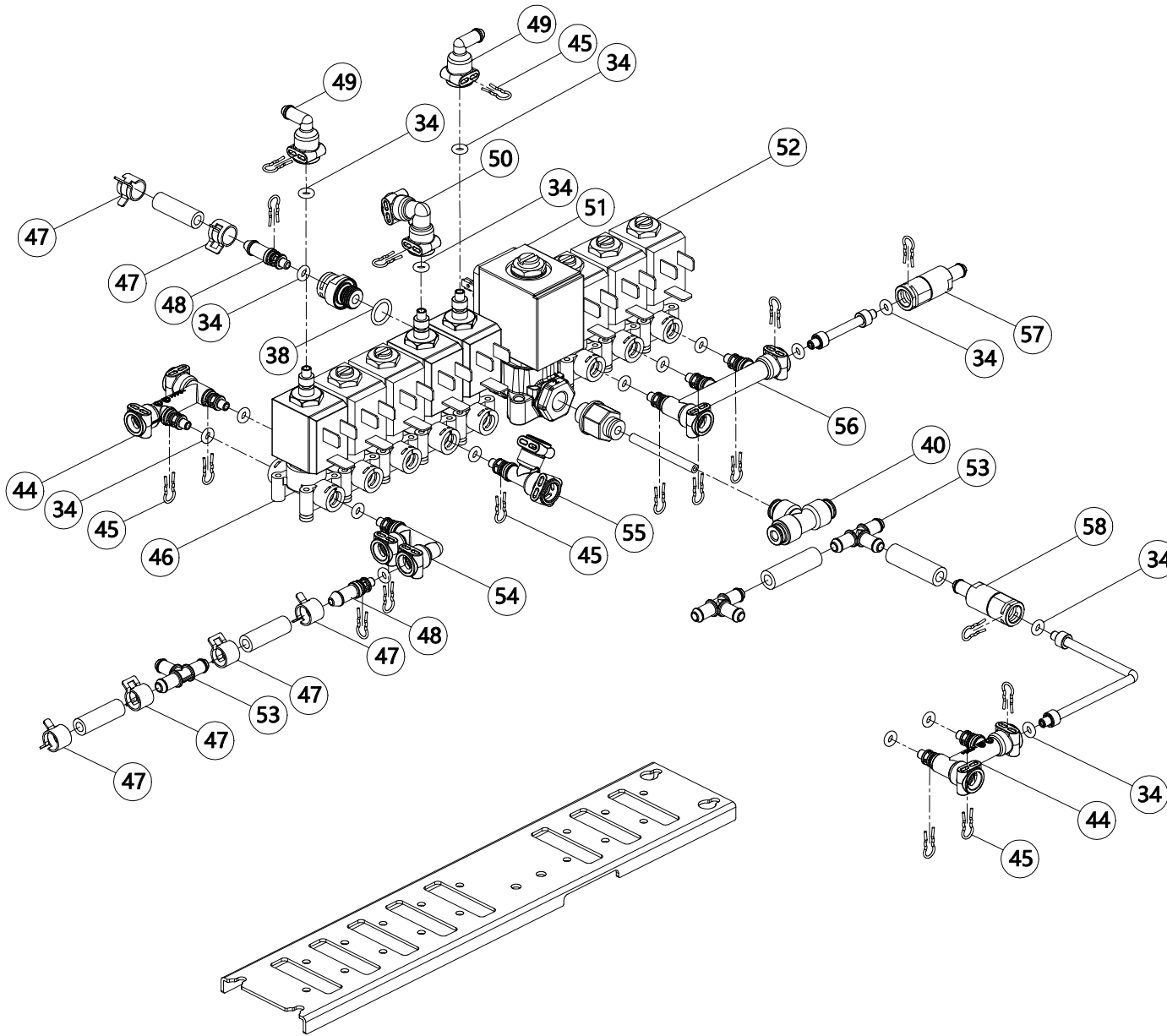
ITEM	DWG NO.	ENGLISH NAME	名称
38	8G10024	O-ring $\phi 9.5 \times \phi 1.5$	锅炉接头密封圈



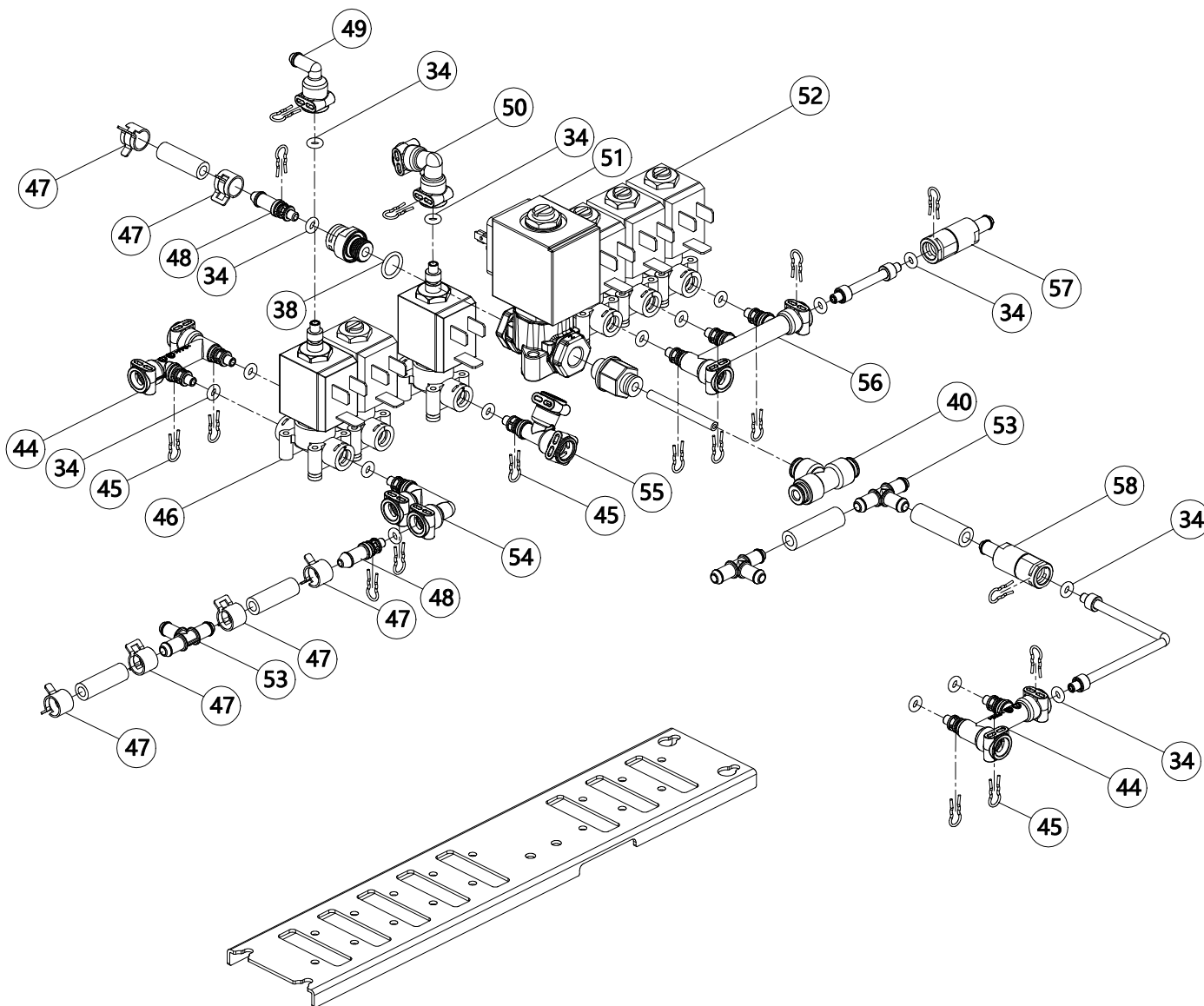
ITEM	DWG NO.	ENGLISH NAME	名称
39	8D30162	Pump	水泵
40	8S20023	three-way linker (4mm)	三通快插接头 (4mm)
41	8S20032	Check valve	快插单向阀 (4mm)
42	8D30115	Flowmeter	F3流量计



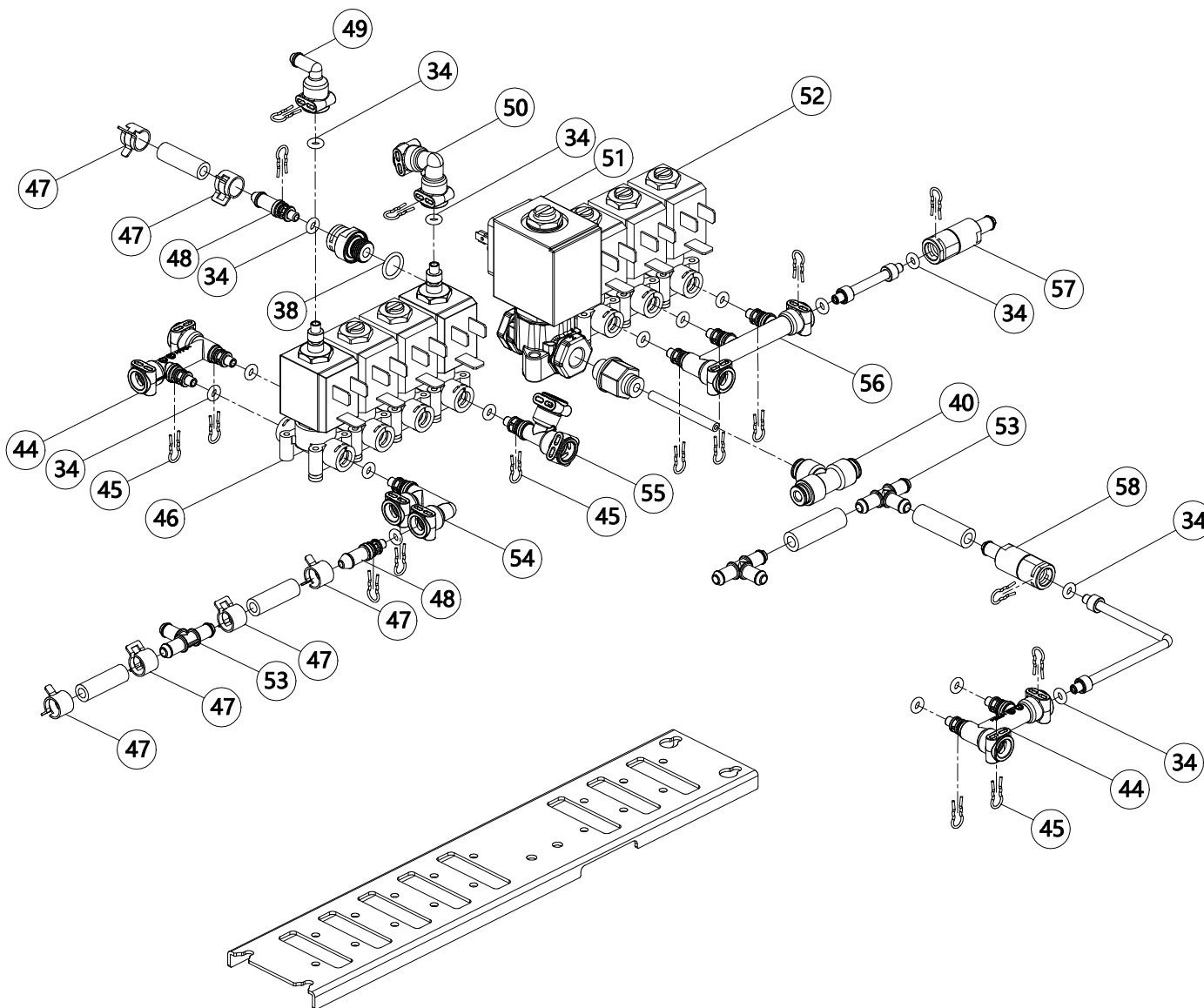
ITEM	DWG NO.	ENGLISH NAME	名称
43	8W60036	Grinder burr	磨豆刀



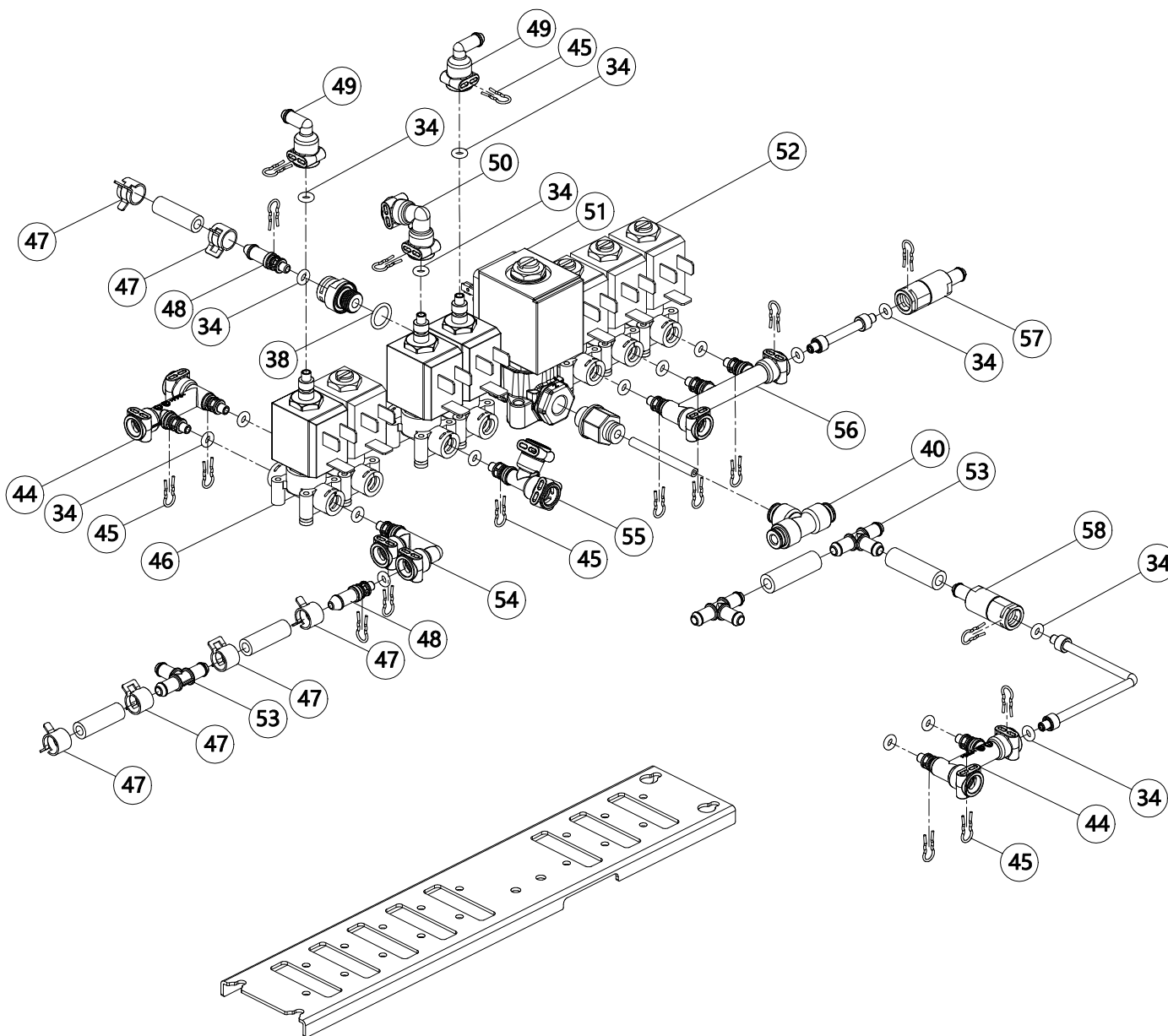
ITEM	DWG NO.	ENGLISH NAME	名称
44	8S10522	Fitting	电磁阀组四通接头
34	8G10008	O-ring $\phi 3.3 \times \phi 2.0$	铜套密封圈
45	8W50023	Spring clip	通用弹簧夹
46	8D30120	Solenoid valve 3W	三通电磁阀-3口为卡口
47	8W30098	Clamp	$\phi 8.5$ 弹性卡箍
48	8S10350	Hose connector(5*9)	软管接头 (5*9)
38	8G10024	O-ring $\phi 9.5 \times \phi 1.5$	锅炉接头密封圈
49	8S10320	Hose adater	硬管转软管接头
50	8S10136	Fitting	分向阀转接头
51	8D30156	Solenoid valve 2W	F3蒸汽两通电磁阀
52	8D30021	Solenoid valve 2W	两通电磁阀
53	8S10319	3 way hose connector	三通软管接头9mm
54	8S10059	F Type Connector	F型接头
55	8S10144	3 Way Type Connector	三通转接头
56	8S10521	five-way linker	电磁阀组五通接头
40	8S20023	three-way linker (4mm)	三通快插接头 (4mm)
57	7NN0069	15 Bar safety valve	15Bar安全阀
58	7NN0019	5 Bar safety valve	5Bar安全阀



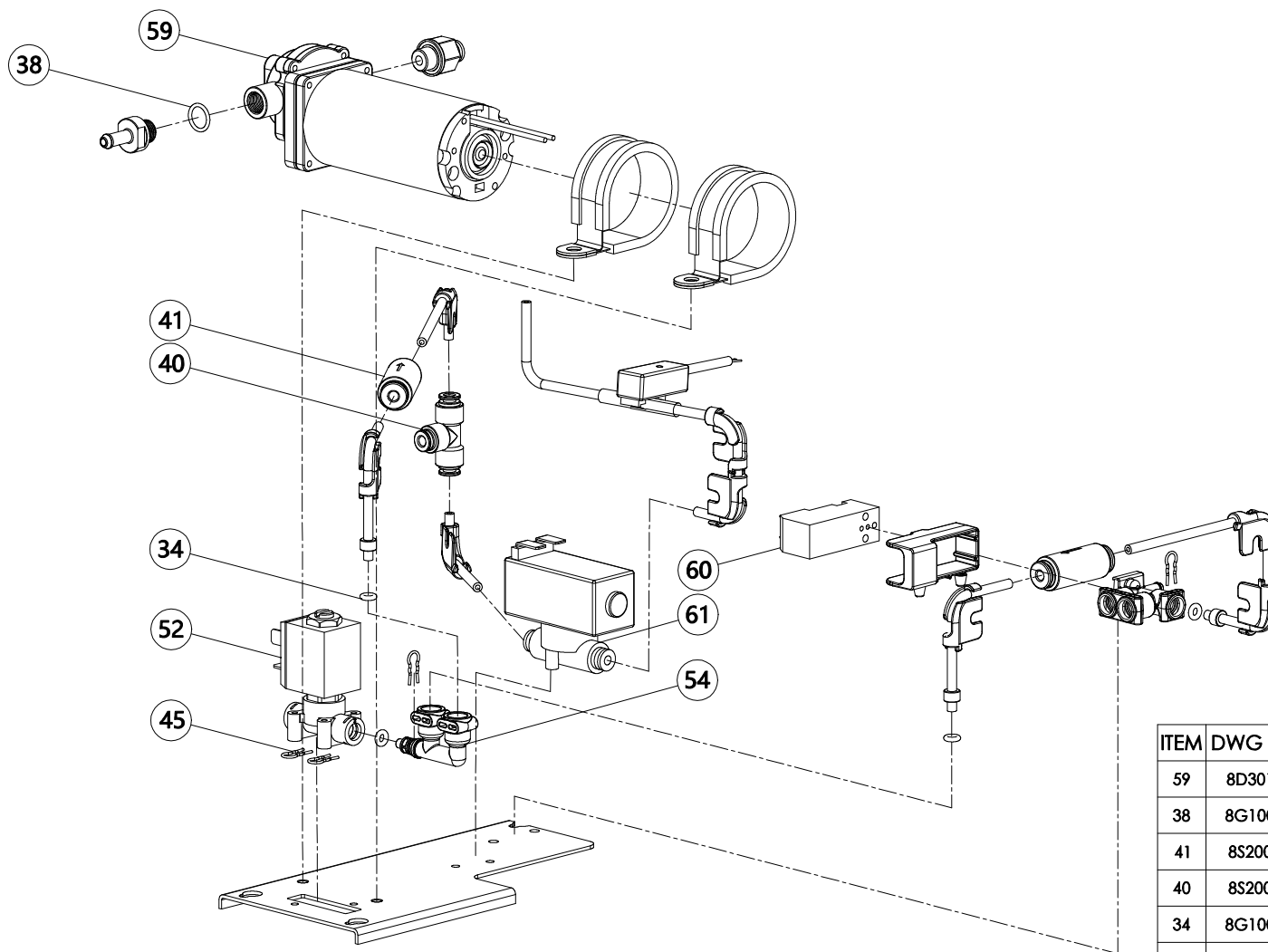
ITEM	DWG NO.	ENGLISH NAME	名称
44	8S10522	Fitting	电磁阀组四通接头
34	8G10008	O-ring $\phi 3.3 \times \phi 2.0$	铜套密封圈
45	8W50023	Spring clip	通用弹簧夹
46	8D30120	Solenoid valve 3W	三通电磁阀-3口为卡口
47	8W30098	Clamp	$\phi 8.5$ 弹性卡箍
48	8S10350	Hose connector(5*9)	软管接头 (5*9)
38	8G10024	O-ring $\phi 9.5 \times \phi 1.5$	锅炉接头密封圈
49	8S10320	Hose adater	硬管转软管接头
50	8S10136	Fitting	分向阀转接头
51	8D30156	Solenoid valve 2W	F3蒸汽两通电磁阀
52	8D30021	Solenoid valve 2W	两通电磁阀
53	8S10319	3 way hose connector	三通软管接头9mm
54	8S10059	F Type Connector	F型接头
55	8S10144	3 Way Type Connector	三通转接头
56	8S10521	five-way linker	电磁阀组五通接头
40	8S20023	three-way linker (4mm)	三通快插接头 (4mm)
57	7NN0069	15 Bar safety valve	15Bar安全阀
58	7NN0019	5 Bar safety valve	5Bar安全阀



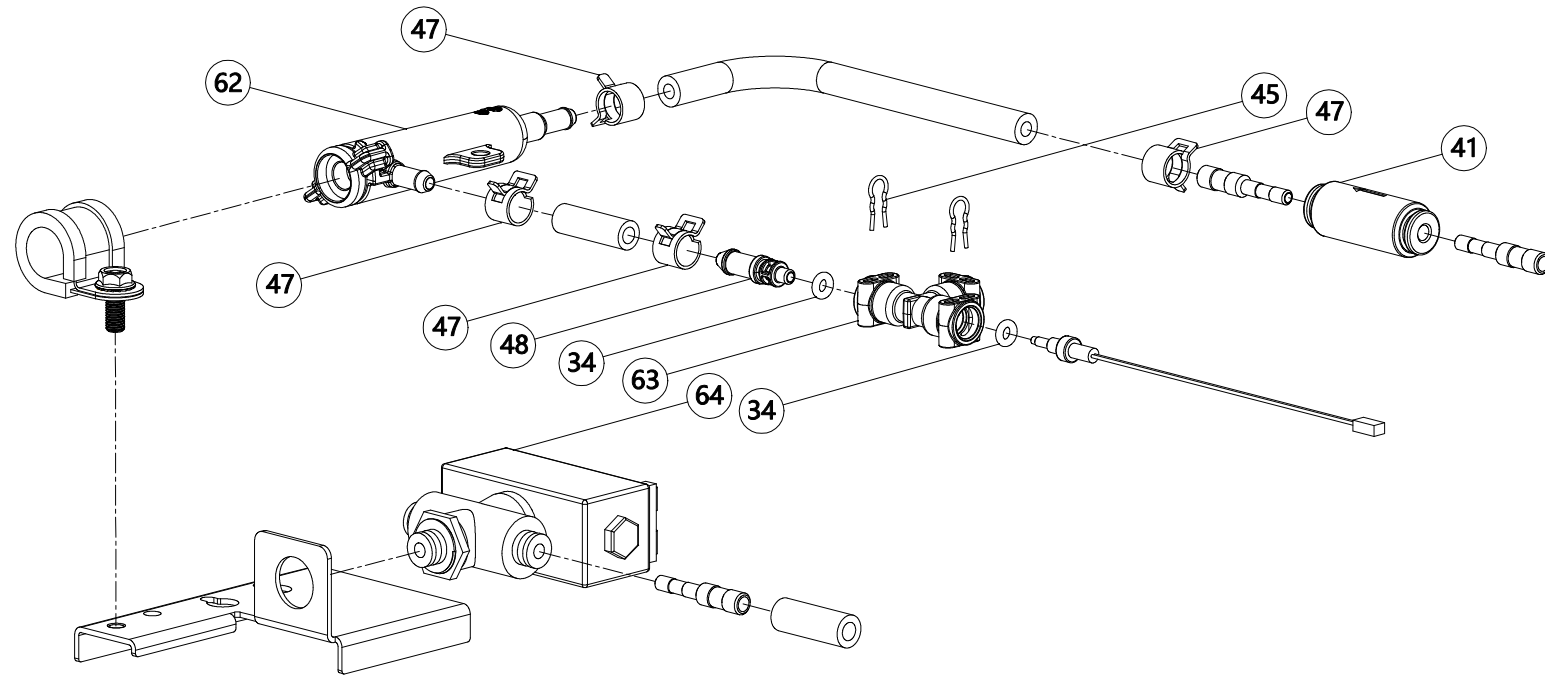
ITEM	DWG NO.	ENGLISH NAME	名称
44	8S10522	Fitting	电磁阀组四通接头
34	8G10008	O-ring $\phi 3.3 \times \phi 2.0$	铜套密封圈
45	8W50023	Spring clip	通用弹簧夹
46	8D30120	Solenoid valve 3W	三通电磁阀-3口为卡口
47	8W30098	Clamp	$\phi 8.5$ 弹性卡箍
48	8S10350	Hose connector(5*9)	软管接头 (5*9)
38	8G10024	O-ring $\phi 9.5 \times \phi 1.5$	锅炉接头密封圈
49	8S10320	Hose adater	硬管转软管接头
50	8S10136	Fitting	分向阀转接头
51	8D30156	Solenoid valve 2W	F3蒸汽两通电磁阀
52	8D30021	Solenoid valve 2W	两通电磁阀
53	8S10319	3 way hose connector	三通软管接头9mm
54	8S10059	F Type Connector	F型接头
55	8S10144	3 Way Type Connector	三通转接头
56	8S10521	five-way linker	电磁阀组五通接头
40	8S20023	three-way linker (4mm)	三通快插接头 (4mm)
57	7NN0069	15 Bar safety valve	15Bar安全阀
58	7NN0019	5 Bar safety valve	5Bar安全阀



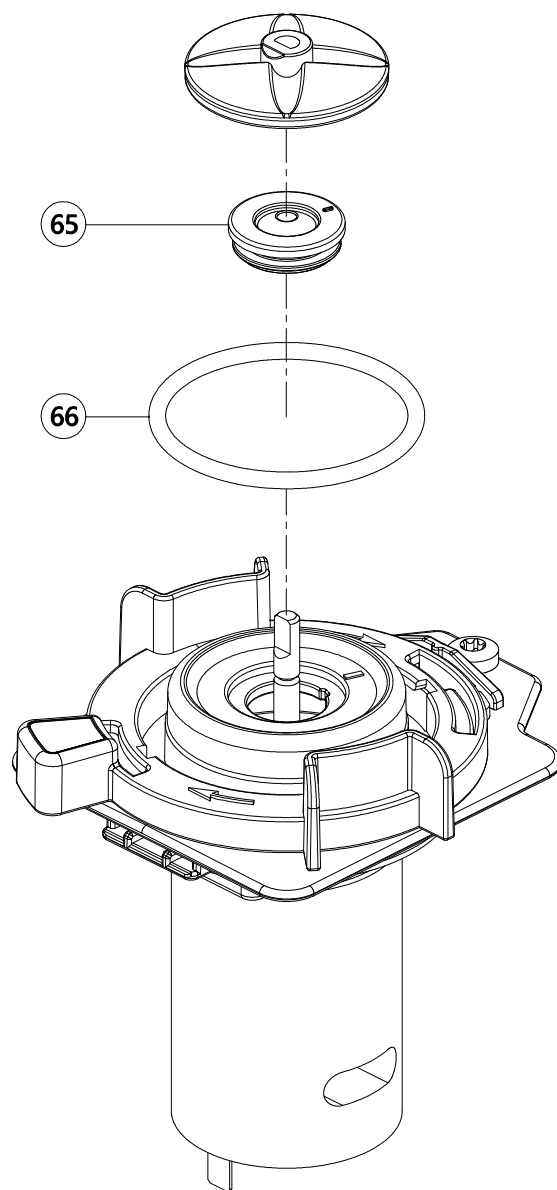
ITEM	DWG NO.	ENGLISH NAME	名称
44	8S10522	Fitting	电磁阀组四通接头
34	8G10008	O-ring $\phi 3.3 \times \phi 2.0$	铜套密封圈
45	8W50023	Spring clip	通用弹簧夹
46	8D30120	Solenoid valve 3W	三通电磁阀-3口为卡口
47	8W30098	Clamp	$\phi 8.5$ 弹性卡箍
48	8S10350	Hose connector(5*9)	软管接头 (5*9)
38	8G10024	O-ring $\phi 9.5 \times \phi 1.5$	锅炉接头密封圈
49	8S10320	Hose adater	硬管转软管接头
50	8S10136	Fitting	分向阀转接头
51	8D30156	Solenoid valve 2W	F3蒸汽两通电磁阀
52	8D30021	Solenoid valve 2W	两通电磁阀
53	8S10319	3 way hose connector	三通软管接头9mm
54	8S10059	F Type Connector	F型接头
55	8S10144	3 Way Type Connector	三通转接头
56	8S10521	five-way linker	电磁阀组五通接头
40	8S20023	three-way linker (4mm)	三通快插接头 (4mm)
57	7NN0069	15 Bar safety valve	15Bar安全阀
58	7NN0019	5 Bar safety valve	5Bar安全阀



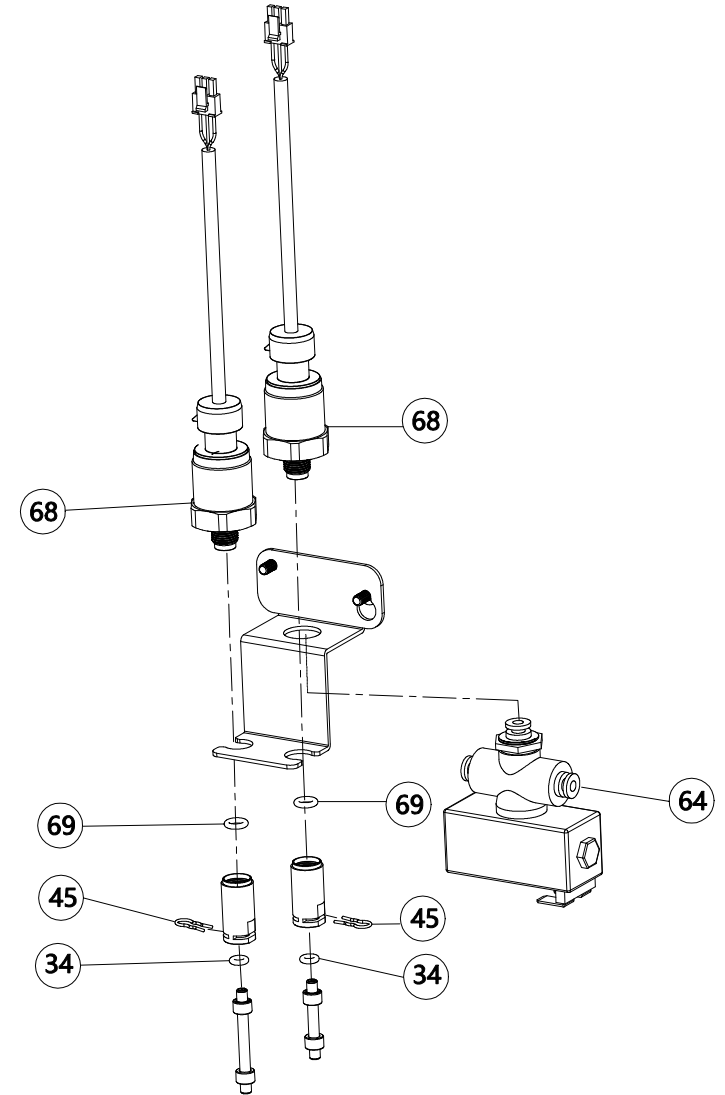
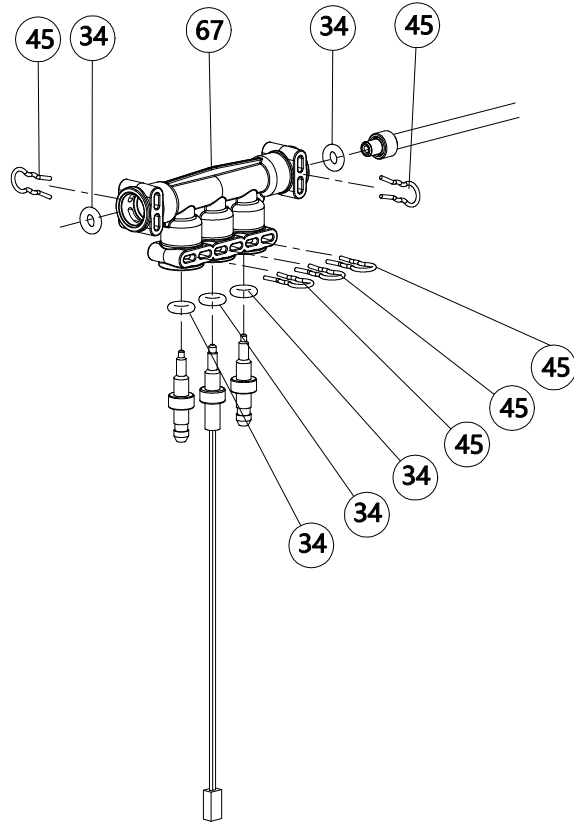
ITEM	DWG NO.	ENGLISH NAME	名称
59	8D30129	Milk pump	奶泵
38	8G10024	O-ring $\phi 9.5 \times \phi 1.5$	锅炉接头密封圈
41	8S20032	Check valve	快插单向阀 (4mm)
40	8S20023	three-way linker (4mm)	三通快插接头 (4mm)
34	8G10008	O-ring $\phi 3.3 \times \phi 2.0$	铜套密封圈
52	8D30021	Solenoid valve 2W	两通电磁阀
45	8W50023	Spring clip	通用弹簧夹
60	8D30090	Air inlet valve	气阀
61	8D30113	Milk two-way valve	两通奶阀
54	8S10059	F Type Connector	F型接头



ITEM	DWG NO.	ENGLISH NAME	名称
62	7NN0294	Foamer connection	奶泡打发器
47	8W30098	Clamp	φ8.5弹性卡箍
48	8S10350	Hose connector(5*9)	软管接头 (5*9)
34	8G10008	O-ring φ3.3*φ2.0	铜套密封圈
63	8S10517	Connection Three	三通转接头
64	8D30112	Milk three-way valve	三通奶阀
45	8W50023	Spring clip	通用弹簧夹
41	8S20032	Check valve	快插单向阀 (4mm)



ITEM	DWG NO.	ENGLISH NAME	名称
65	8G20030	Seal ring of mixer moto	F2粉料搅拌机电机轴密封圈
66	8G10026	O-ring $\phi 37.77 \times \phi 2.62$	粉料搅拌室密封圈



ITEM	DWG NO.	ENGLISH NAME	名称
45	8W50023	Spring clip	通用弹簧夹
34	8G10008	O-ring $\phi 3.3 \times \phi 2.0$	铜套密封圈
67	8S310957	Milk intake detection connector	进奶检测接头
68	8D30199	Pressure transmitter	压力变送器
69	8G10011	Membrane controller Seal Ring	稳压阀密封圈
64	8D30112	Milk three-way valve	三通奶阀