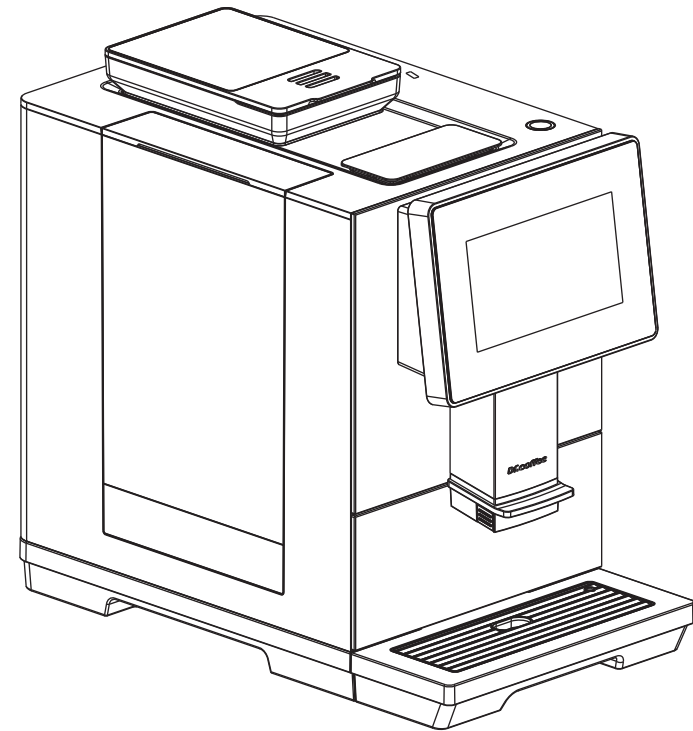


C11

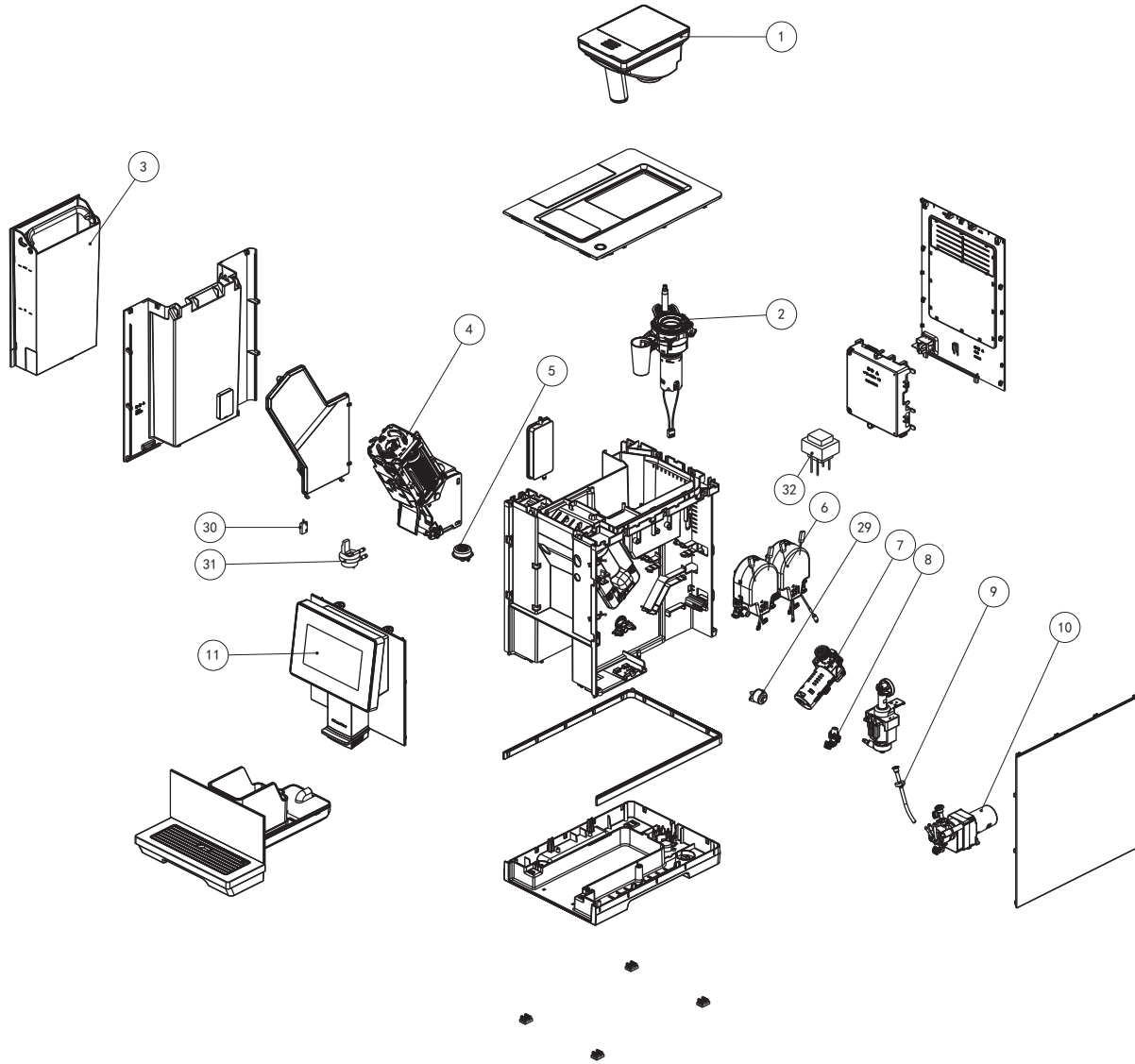
Explosive view

ISSUE : 01

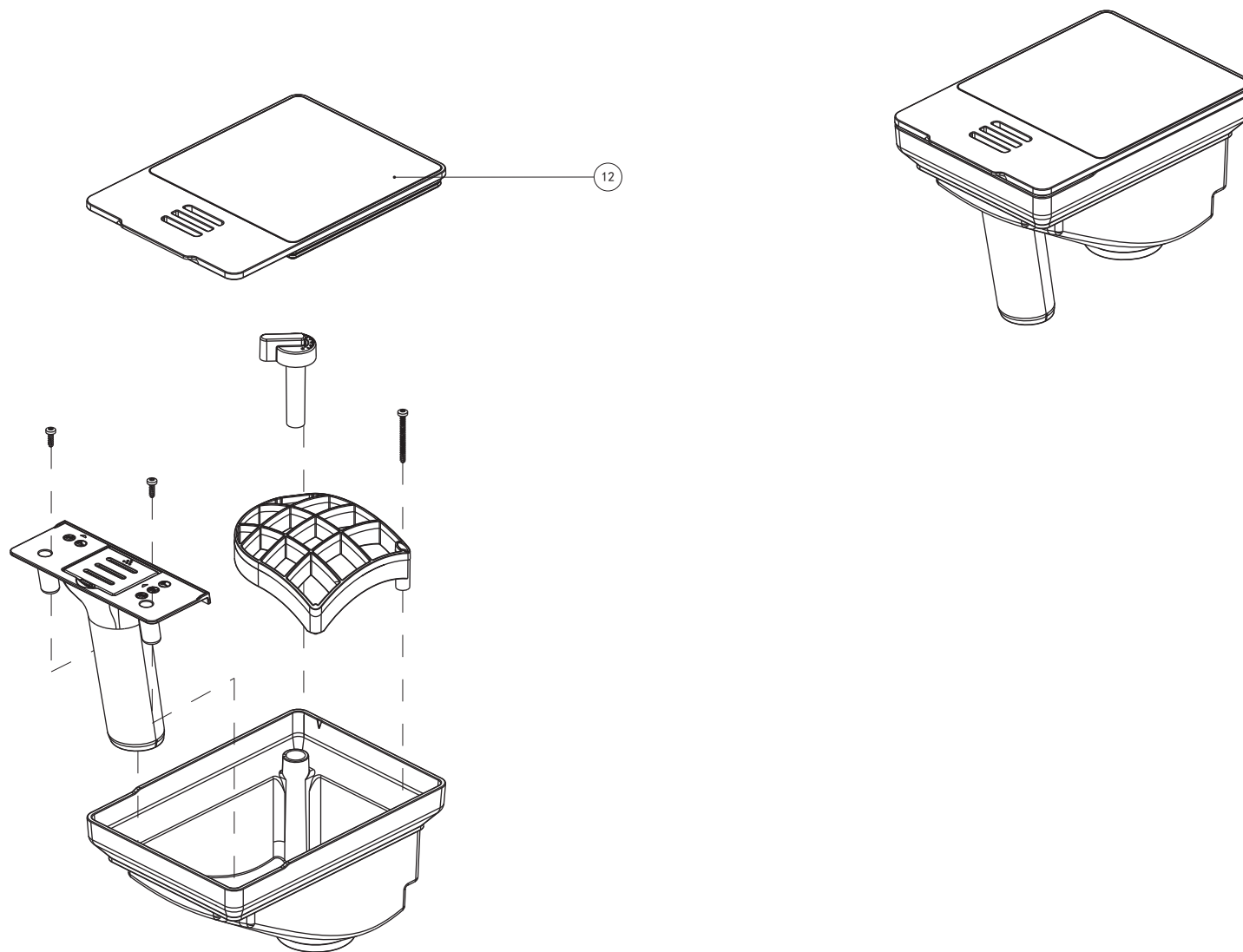


Content

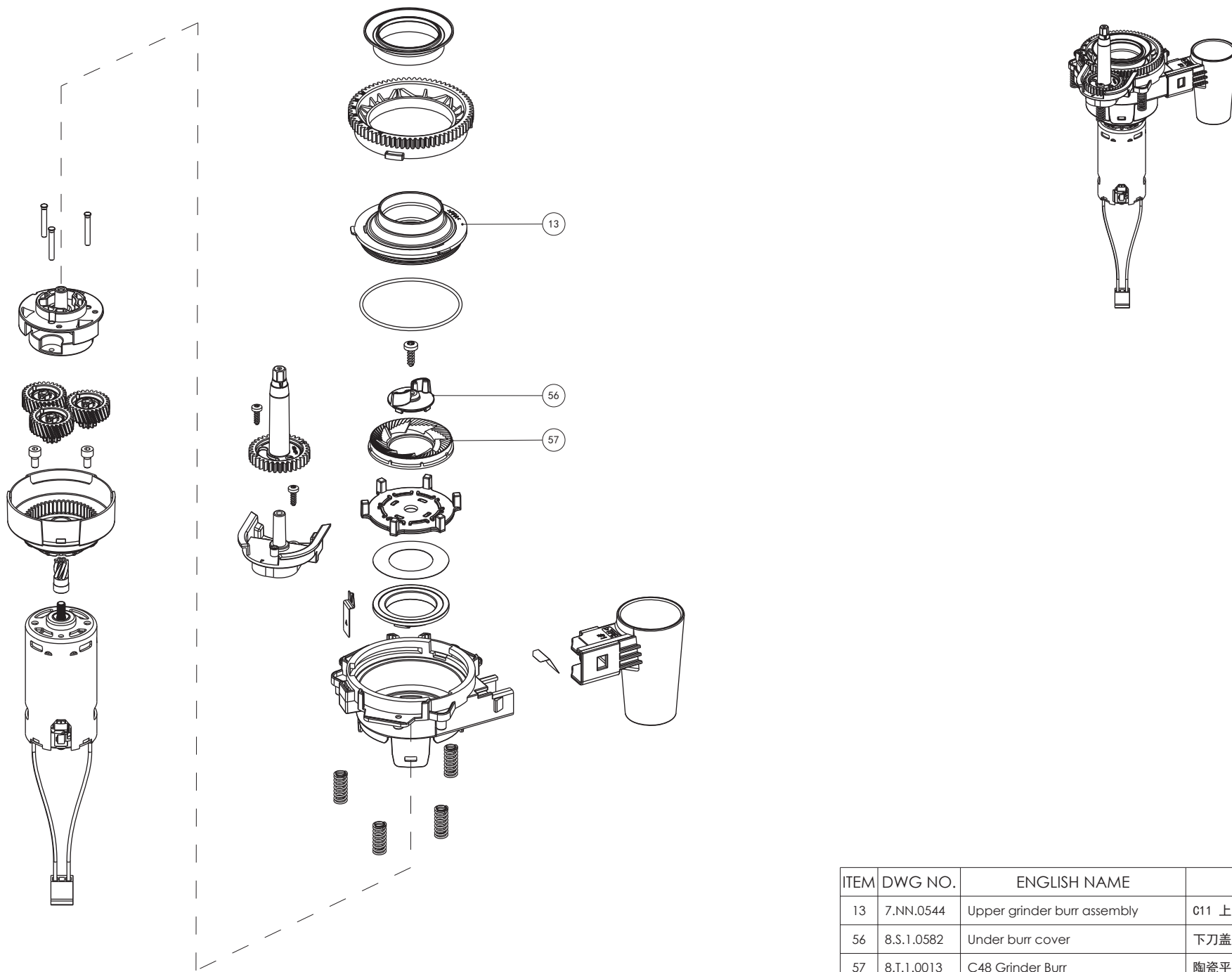
C11 Appearance Assembly.....	01
C11 Bean container Assembly.....	02
C11 Grinding vertical Assembly.....	03
C11 Water Tank Assembly.....	04
C11 Front Display Assembly.....	05
Coffee Outlet Slider Assembly.....	06
C11 Display Assembly.....	07
Coffee Outlet Assembly.....	08
Brewer Group.....	09
C11 Thermoblock assembly.....	10
C11 Pump Assembly.....	11
C11 Water Storage Assembly.....	12
Water Inlet Valve group.....	13
C11 Left Cover Group.....	14
Main Control PCB Group.....	15
Top Cover Group.....	16
Back Cover Group.....	17



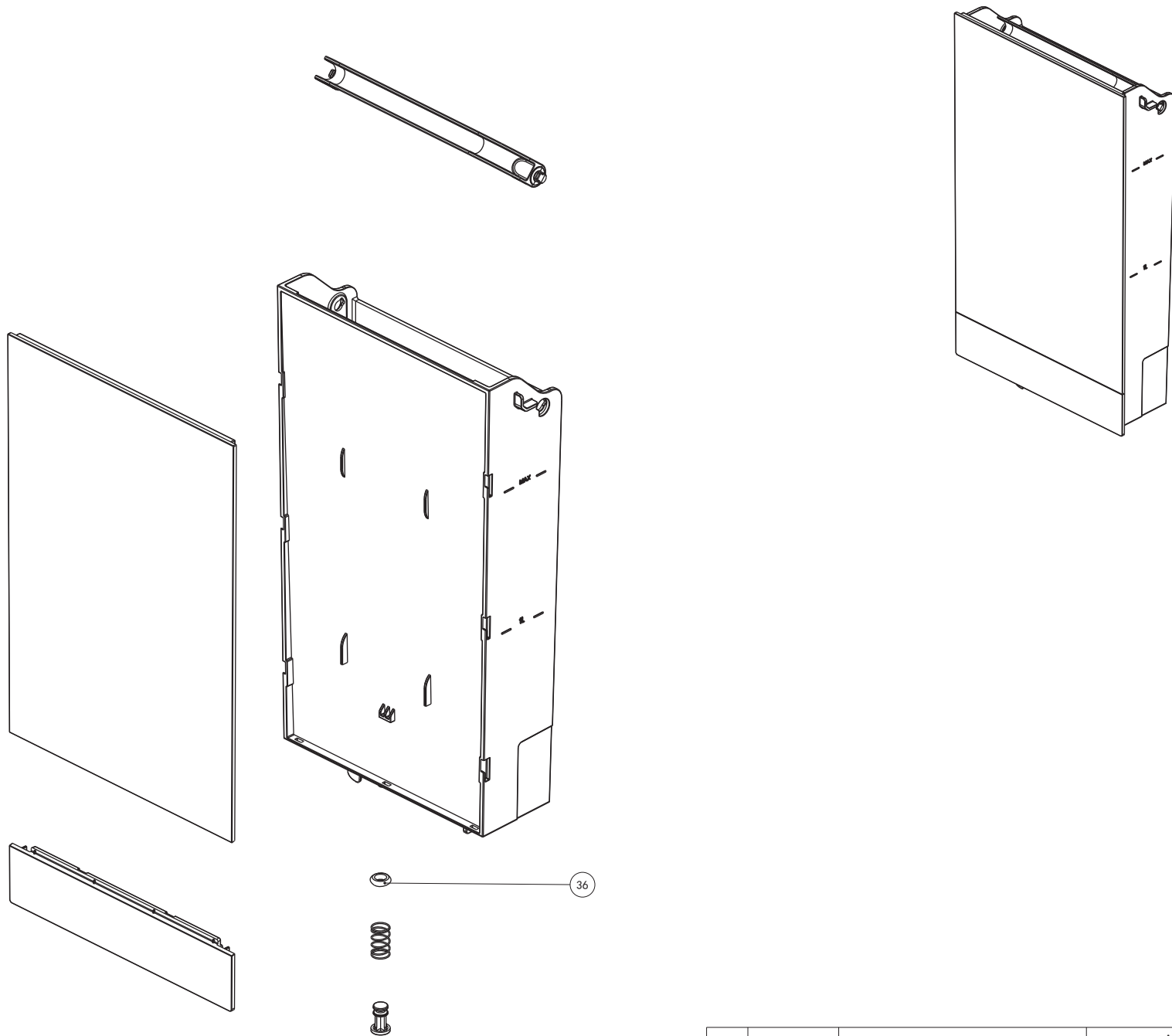
ITEM	DWG NO.	ENGLISH NAME	名称
1	7.NN.0392	C11 Bean container Assembly	C11 豆盒组
2	7.NN.0381	C11 Grinding vertical Assebmly	C11磨豆组
3	7.NN.0393	C11 Water Tank Assembly	C11 水箱组
4	7.NN.0103	Brewer Group	F09 冲泡器组
5	7.NN.0014	Water Inlet Valve group	F11 导水座组
6	7.NN.0382	C11 Thermoblock assembly	C11 电热盘组
7	7.NN.0452	Brew motor group	C11 传动组
8	7.NN.0009	Dispenser valve 3W	蓄压阀组
9	7.NN.0202	Air Inlet Valve Assembly	鸭嘴阀组
10	7.NN.0424	Switch valve assembly	C11 分向阀组
11	7.NN.0384	C11 Front Display Assembly	C11 前面板组
29	8.D.3.0014	Stepper Motor	泄压阀步进电机
30	8.D.3.0013	Reed Switch	干簧管
31	8.D.3.0177	Flowmeter	流量计
32	8.D.3.0016	Transformer	变压器



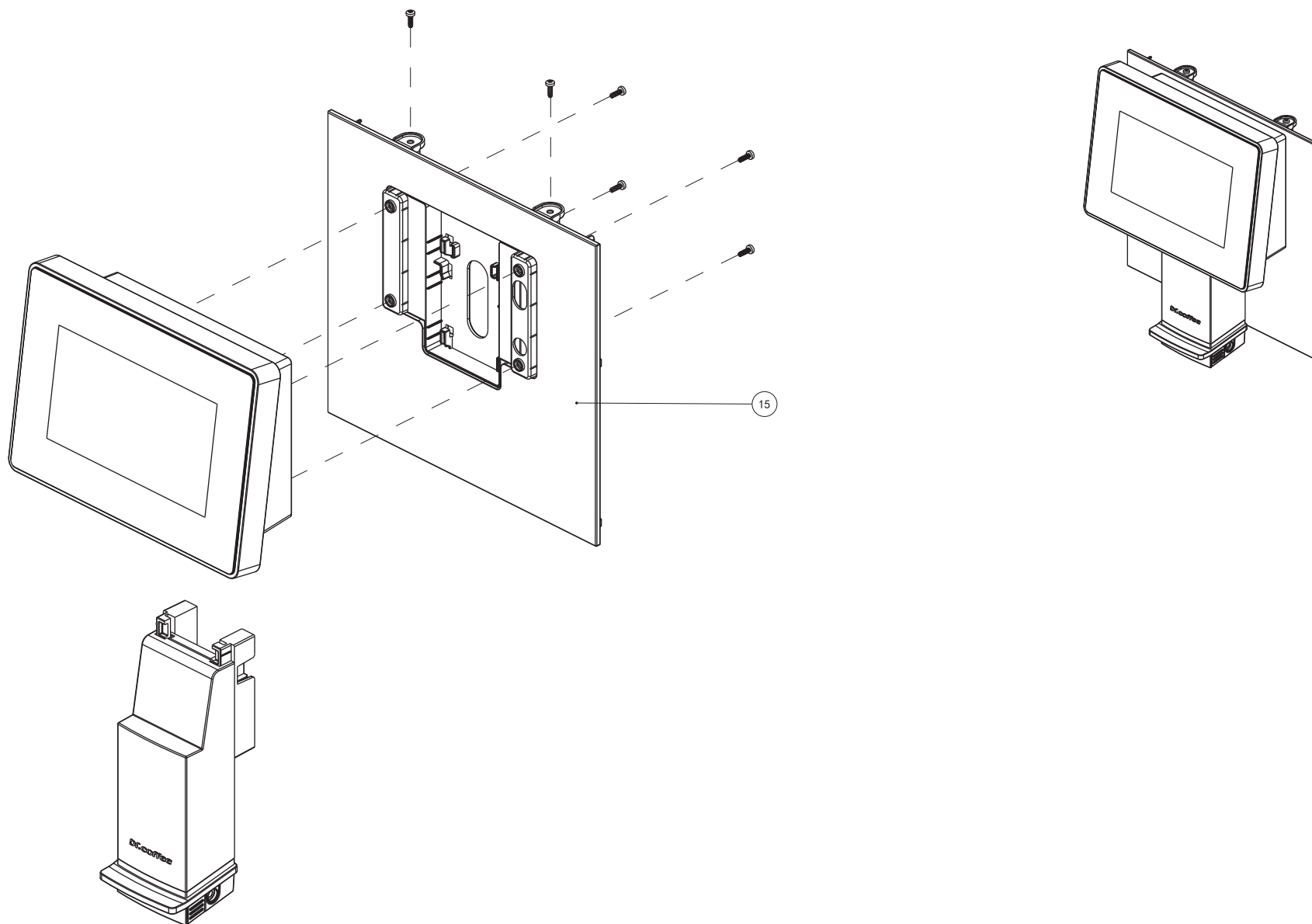
ITEM	DWG NO.	ENGLISH NAME	名称
12	7.NN.0428	Bean Tank Cover	豆盒盖



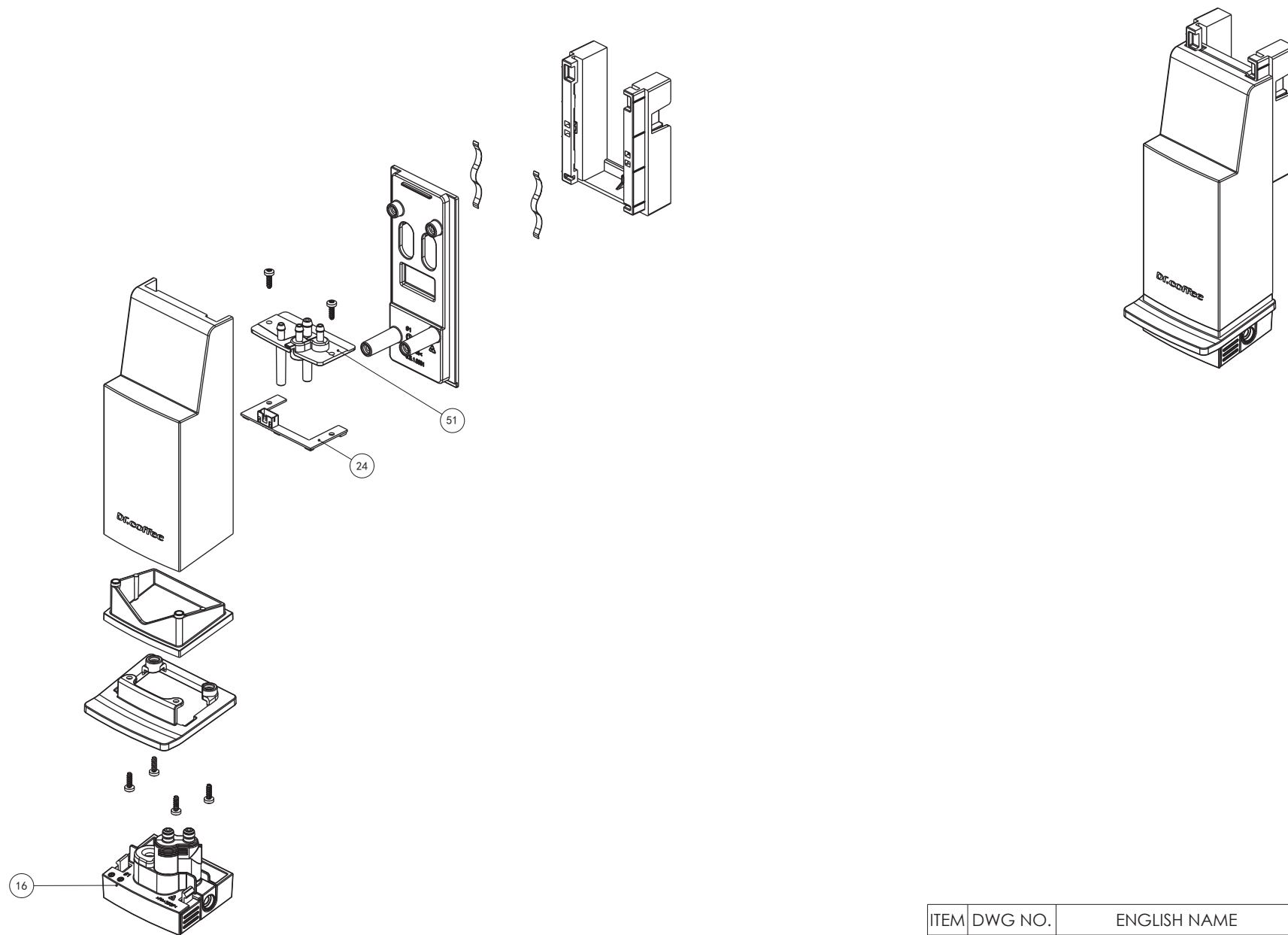
ITEM	DWG NO.	ENGLISH NAME	名称
13	7.NN.0544	Upper grinder burr assembly	C11 上刀盘组
56	8.S.1.0582	Under burr cover	下刀盖
57	8.T.1.0013	C48 Grinder Burr	陶瓷平刀



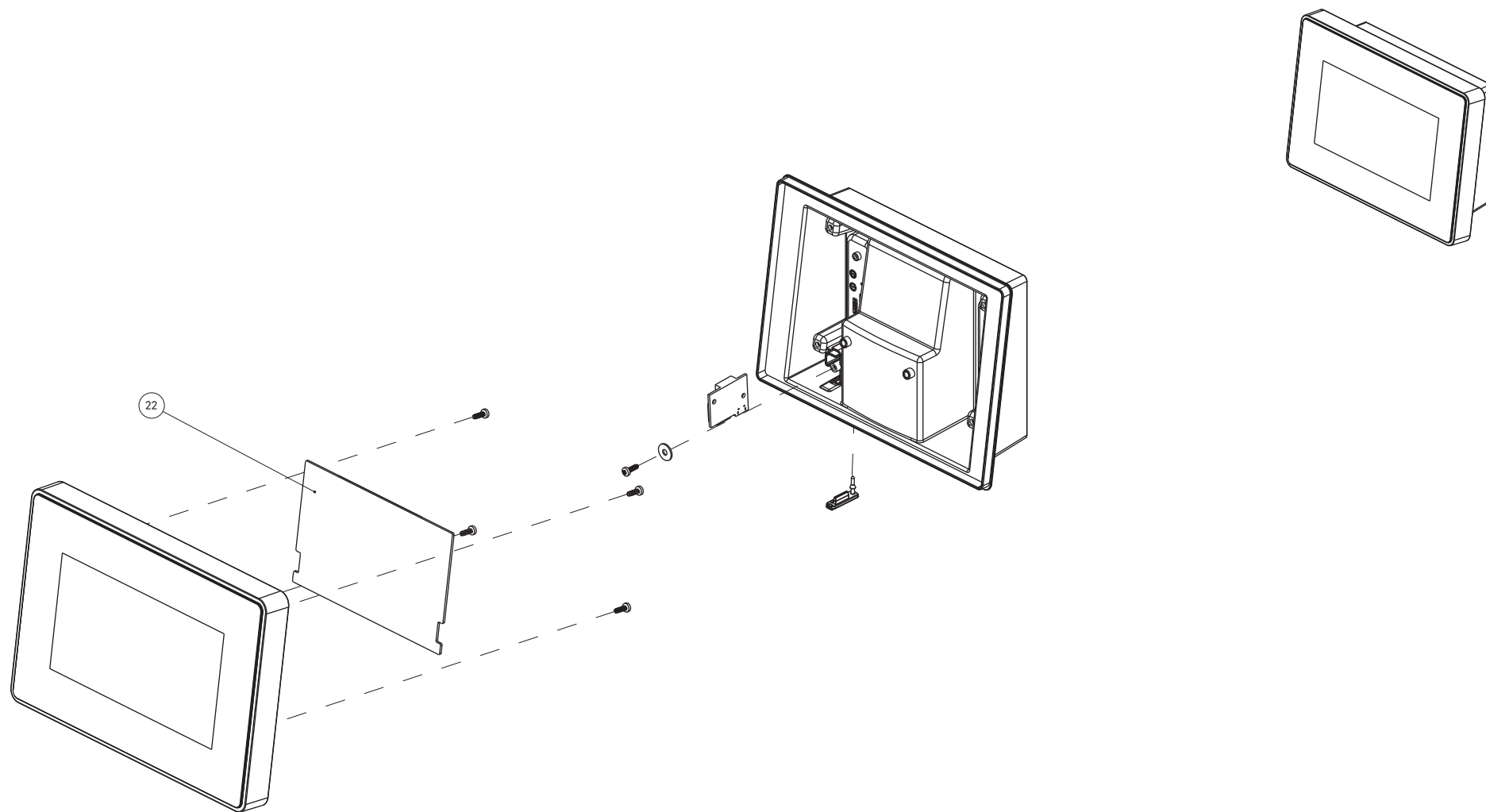
ITEM	DWG NO.	ENGLISH NAME	名称
36	8.G.1.0021	O-Ring $\phi 5 * \phi 3.75$	水箱止逆阀密封圈



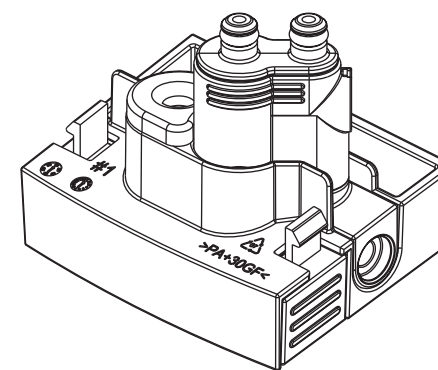
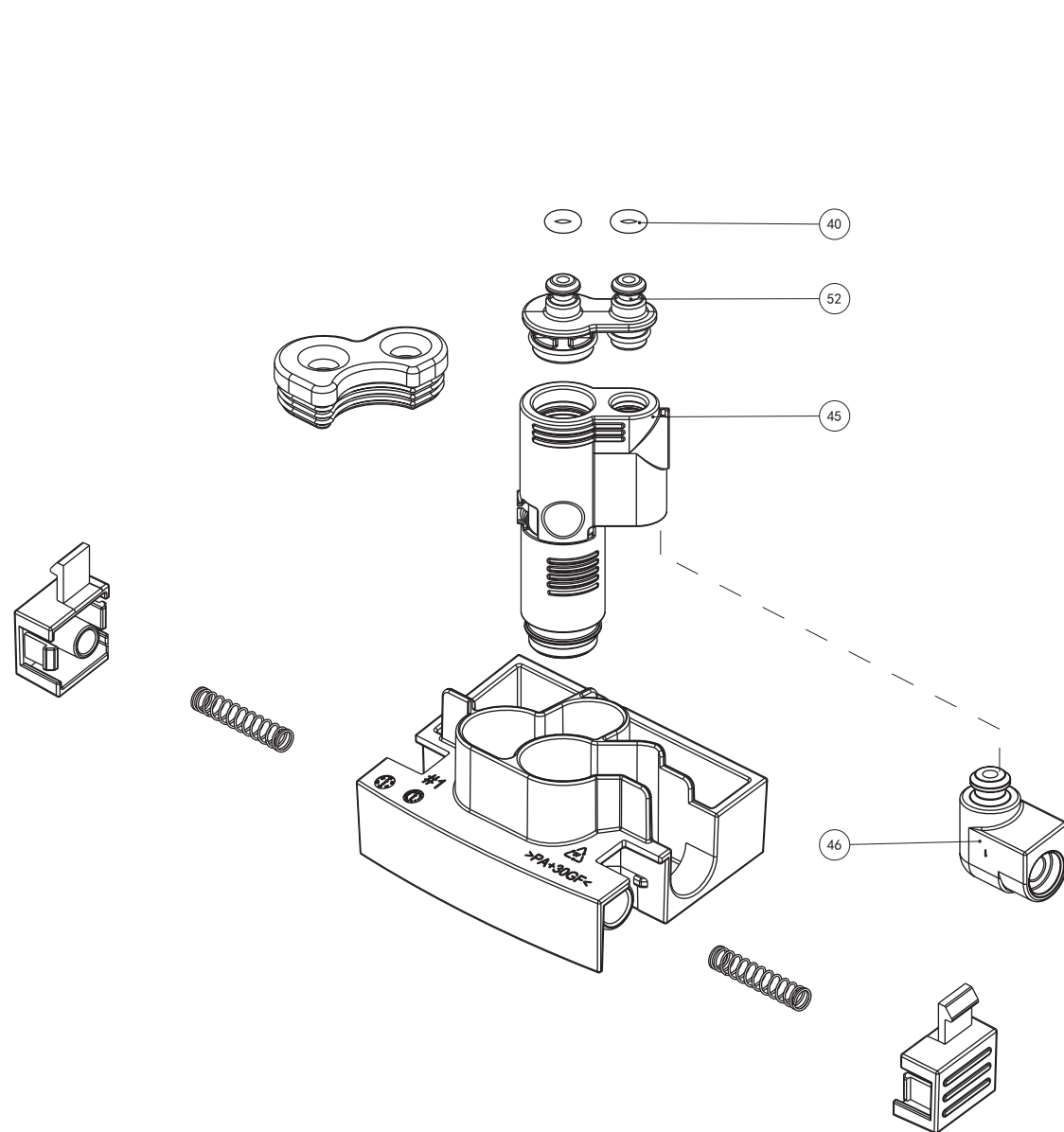
ITEM	DWG NO.	ENGLISH NAME	名称
15	7.NN.0648	Front Glass Assembly(Black)	前面板玻璃组(黑色)



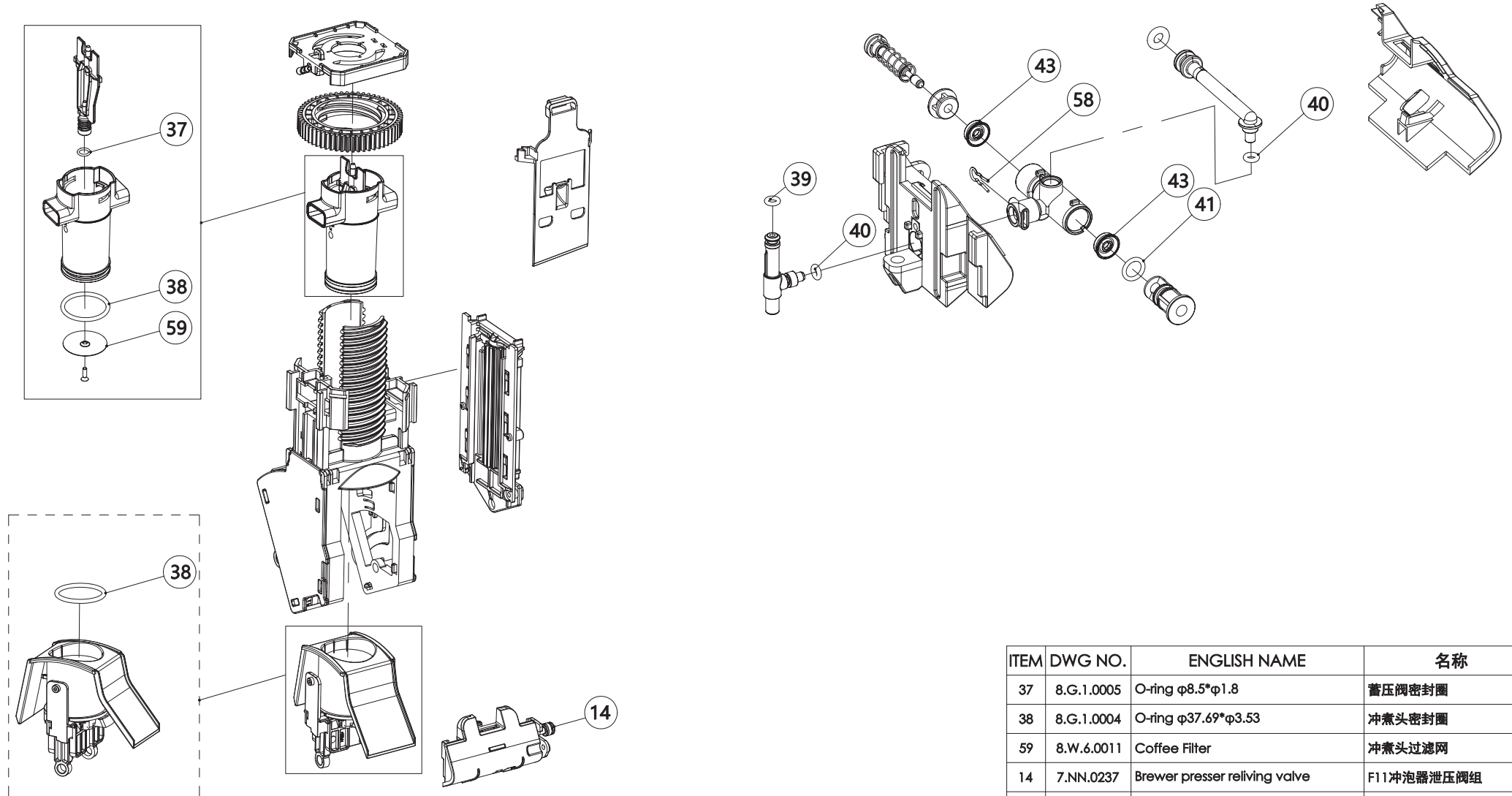
ITEM	DWG NO.	ENGLISH NAME	名称
16	7.NN.0653	Coffee Outlet Assembly	咖啡出口组
24	8.D.1.0059	Light Bar Board	灯板
51	8.S.1.0596	Coffee Outlet Connector	咖啡出口分接头



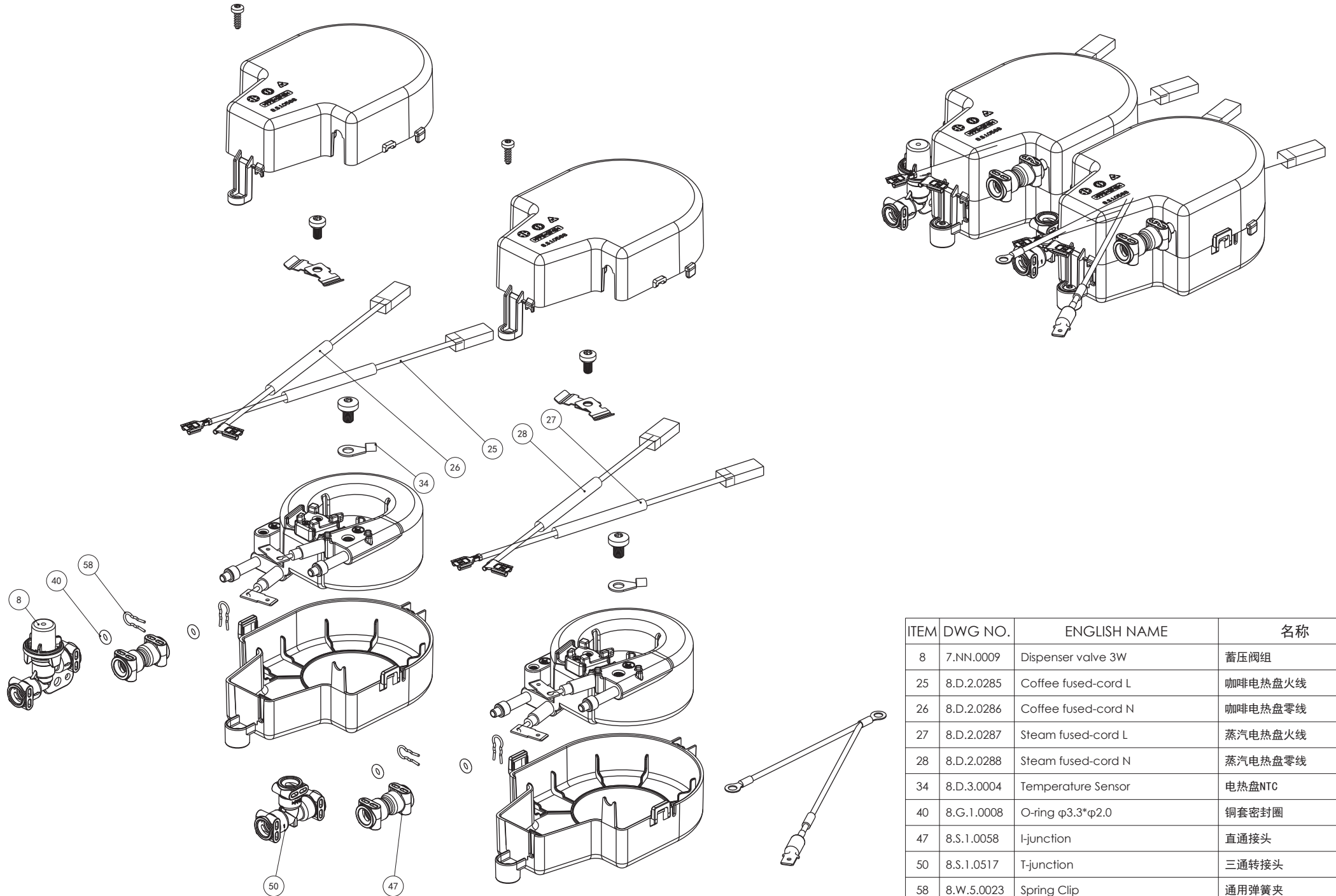
ITEM	DWG NO.	ENGLISH NAME	名称
22	8.D.1.0057	C11 HMI Board	C11 HMI板



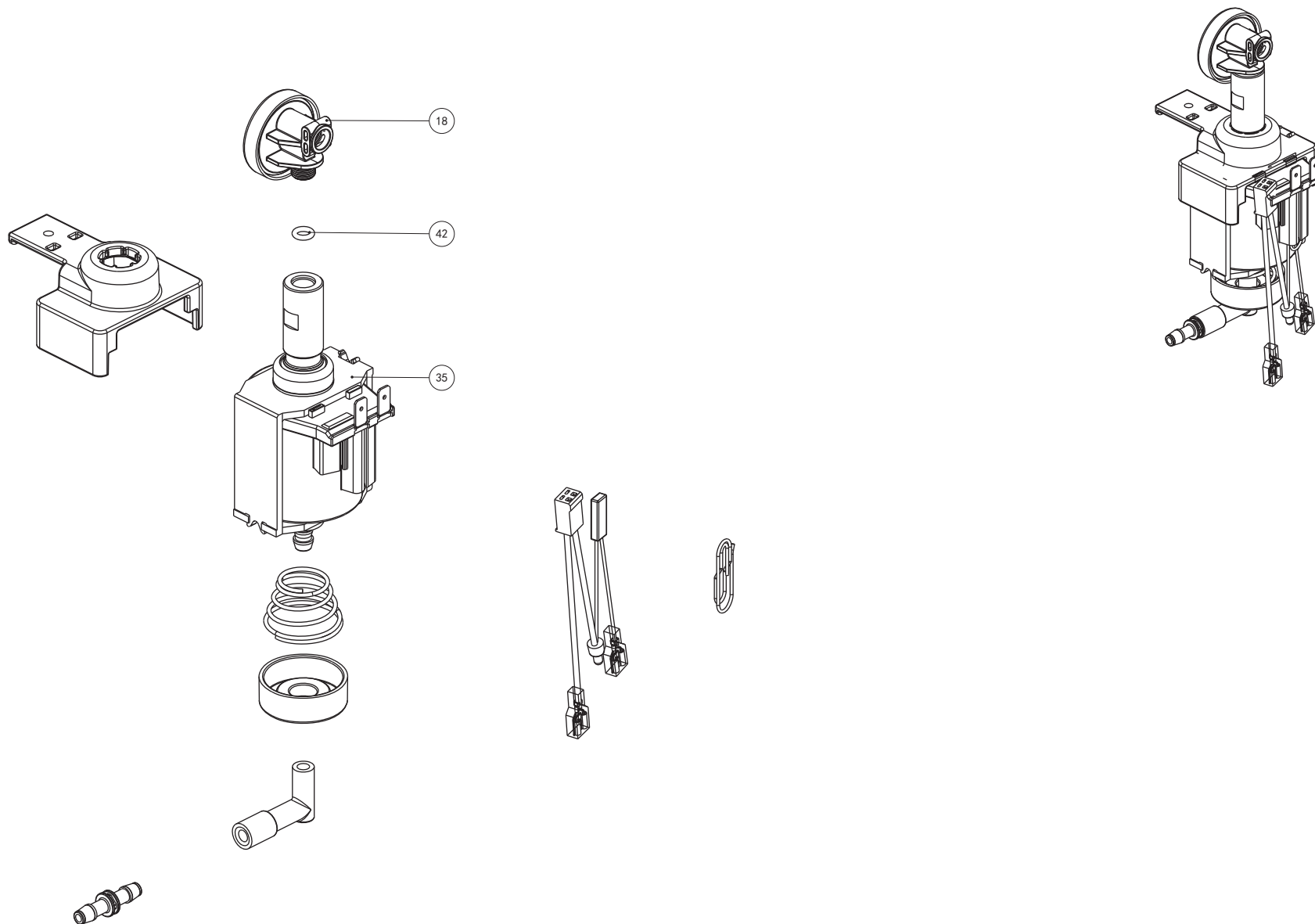
ITEM	DWG NO.	ENGLISH NAME	名称
40	8.G.1.0008	O-ring φ3.3*φ2.0	铜套密封圈
45	8.G.2.0069	Milk Frother	奶沫器
46	8.G.2.0070	Milk Frother Connector	奶沫器转接头
52	8.S.1.0598	Steam Nozzle	蒸汽喷嘴



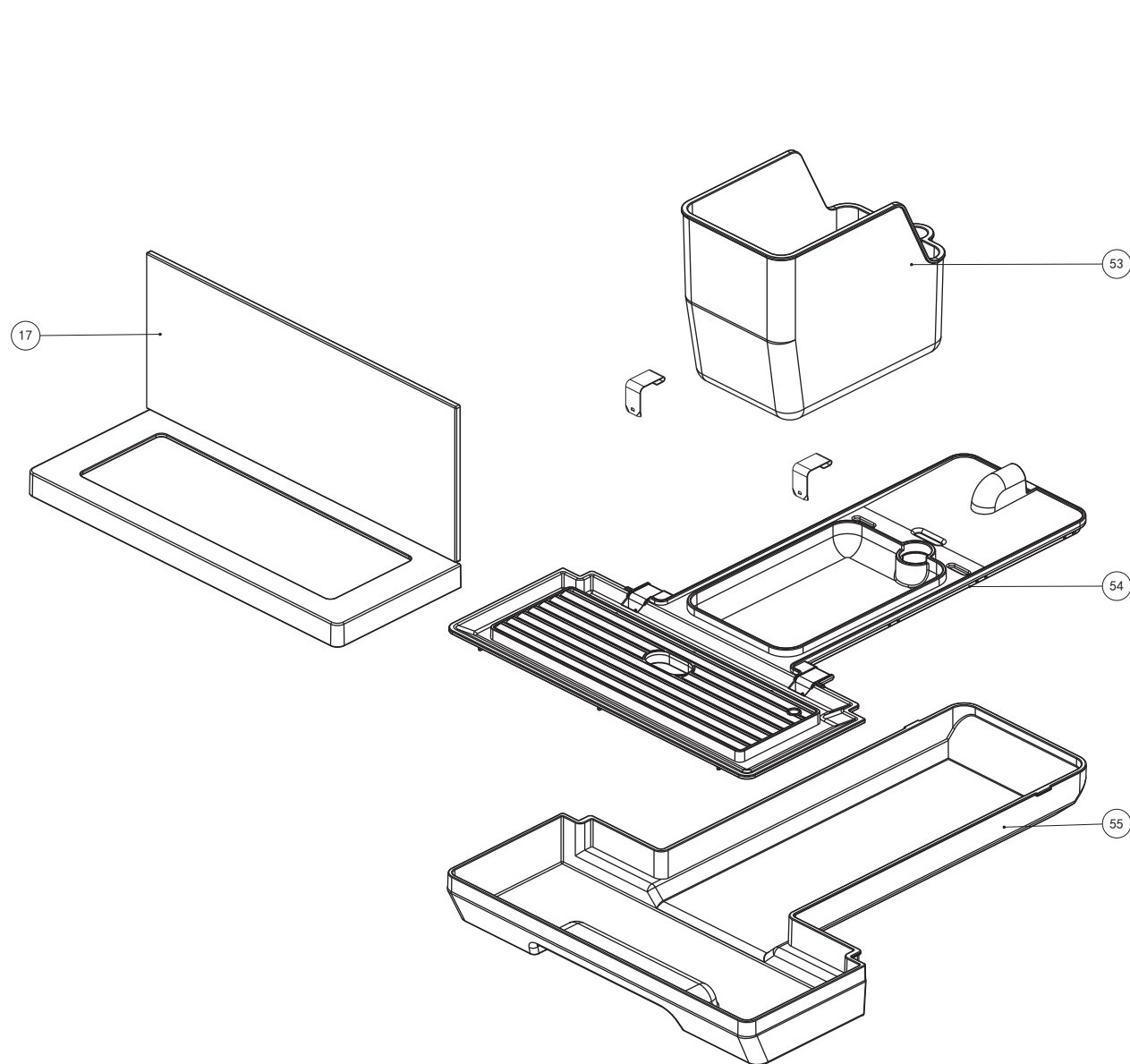
ITEM	DWG NO.	ENGLISH NAME	名称
37	8.G.1.0005	O-ring $\phi 8.5 \times \phi 1.8$	蓄压阀密封圈
38	8.G.1.0004	O-ring $\phi 37.69 \times \phi 3.53$	冲煮头密封圈
59	8.W.6.0011	Coffee Filter	冲煮头过滤网
14	7.NN.0237	Brewer presser relieving valve	F11冲泡器泄压阀组
39	8.G.1.0009	O-ring $\phi 4 \times \phi 1.6$	出水管密封圈
40	8.G.1.0008	O-ring $\phi 3.3 \times \phi 2.0$	铜套密封圈
43	8.G.2.0007	Y-ring $\phi 12.20 \times \phi 3.65$	泄压阀Y型密封圈
58	8.W.5.0023	Spring clip	通用弹簧夹
41	8.G.1.0007	O-ring $\phi 8 \times \phi 1.8$	泄水管密封圈



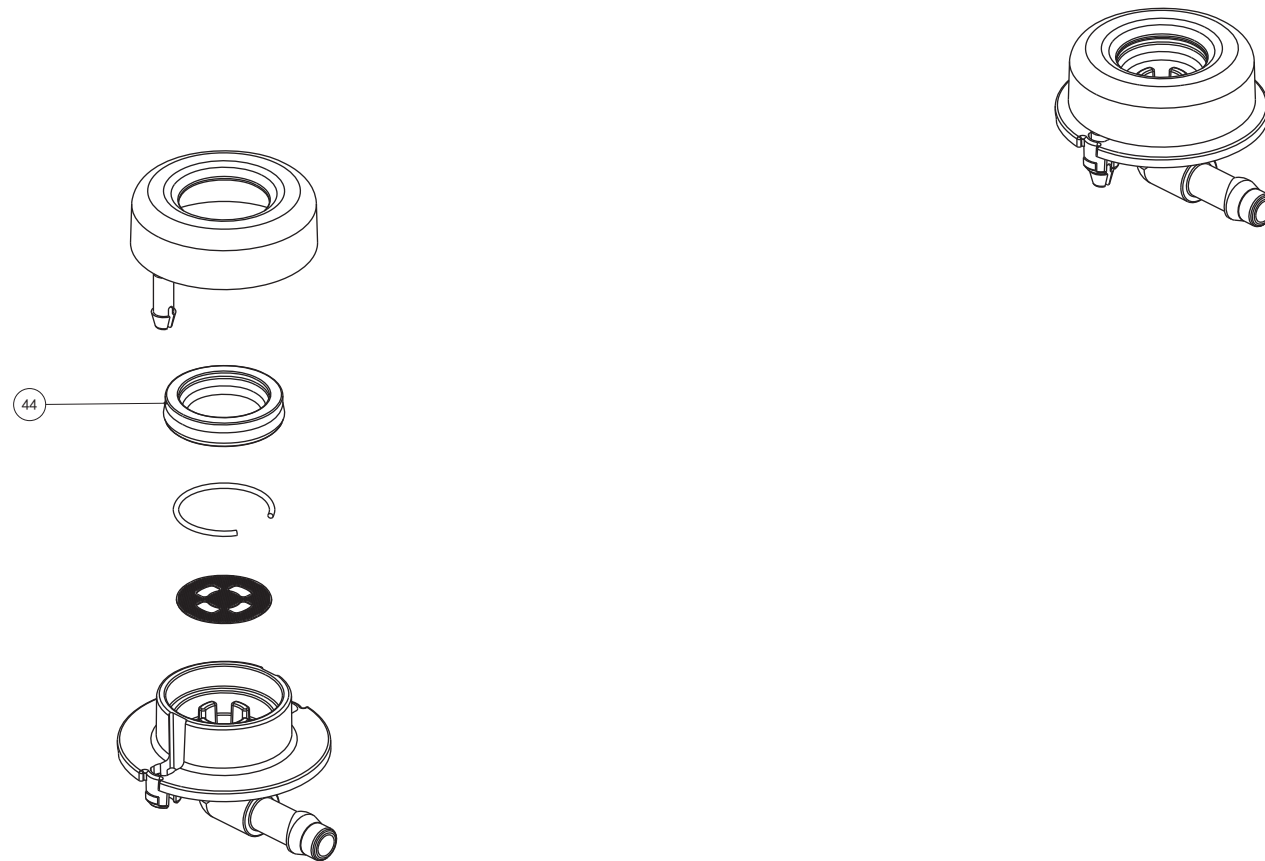
ITEM	DWG NO.	ENGLISH NAME	名称
8	7.NN.0009	Dispenser valve 3W	蓄压阀组
25	8.D.2.0285	Coffee fused-cord L	咖啡电热盘火线
26	8.D.2.0286	Coffee fused-cord N	咖啡电热盘零线
27	8.D.2.0287	Steam fused-cord L	蒸汽电热盘火线
28	8.D.2.0288	Steam fused-cord N	蒸汽电热盘零线
34	8.D.3.0004	Temperature Sensor	电热盘NTC
40	8.G.1.0008	O-ring φ3.3*φ2.0	铜套密封圈
47	8.S.1.0058	I-junction	直通接头
50	8.S.1.0517	T-junction	三通转接头
58	8.W.5.0023	Spring Clip	通用弹簧夹



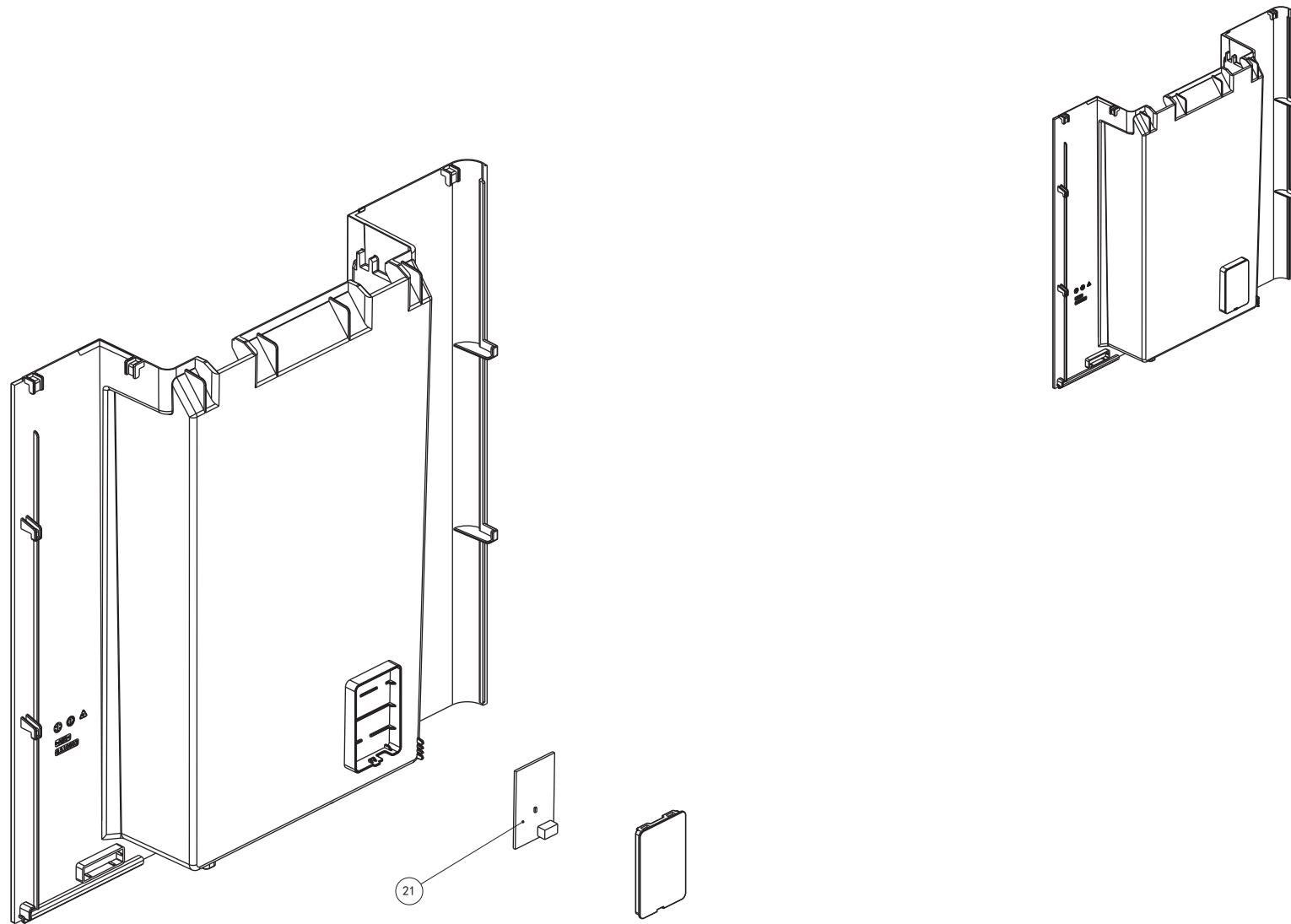
ITEM	DWG NO.	ENGLISH NAME	名称
18	7.NN.0012	Membrane Controller Group	稳压阀组
35	8.D.3.0051	water pump	水泵
42	8.G.1.0011	O-ring	稳压阀密封圈



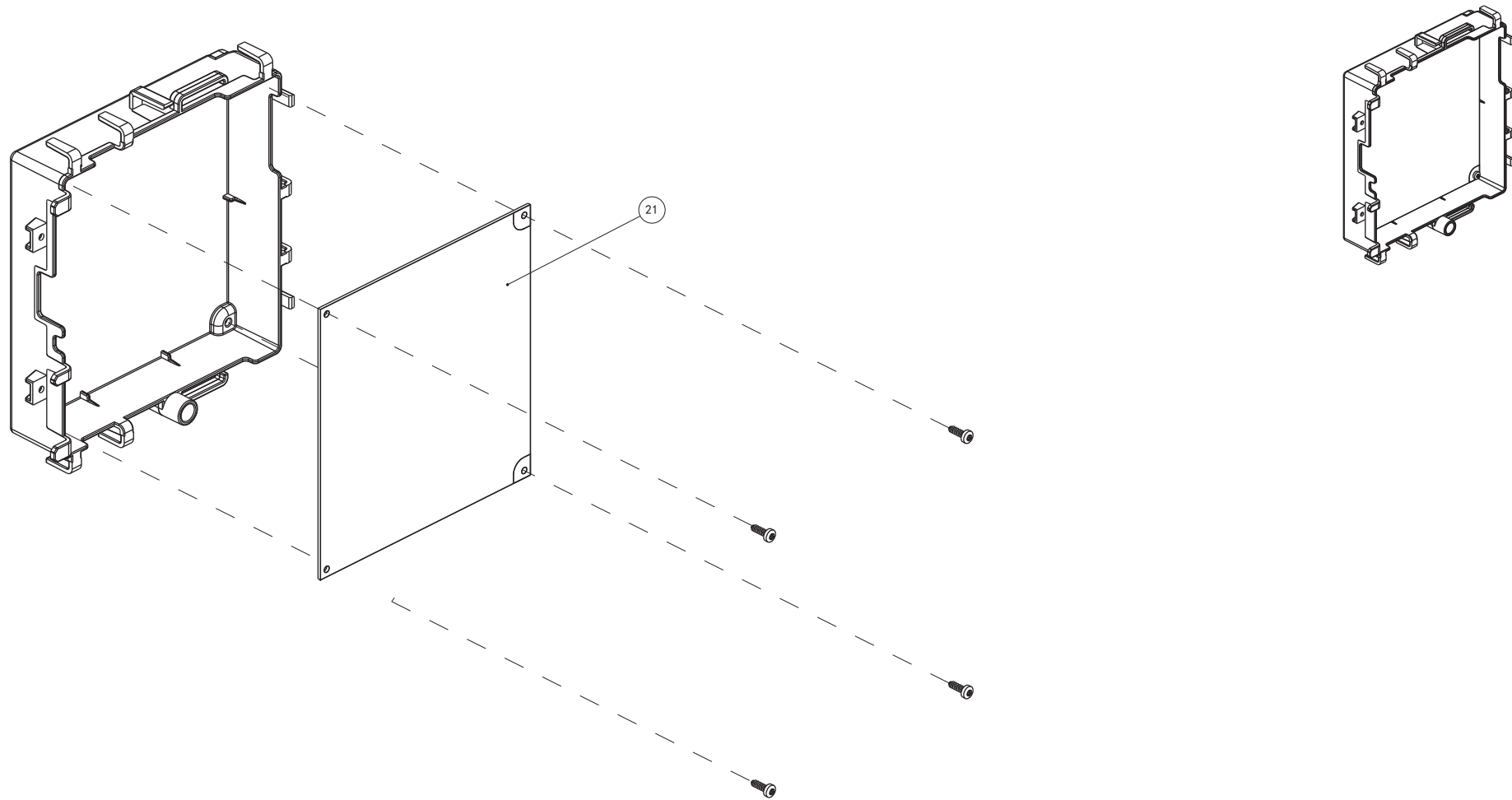
ITEM	DWG NO.	ENGLISH NAME	名称
17	7.NN.0656	Front Glass Assembly(Black)	前面板玻璃组(黑色)
53	8.S.1.0620	Dump Box	容渣盒
54	8.S.1.0622	Drip Tray Cover	蓄水盘盖
55	8.S.1.0619	Drip Tray	蓄水盘



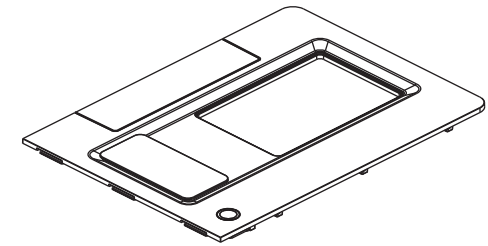
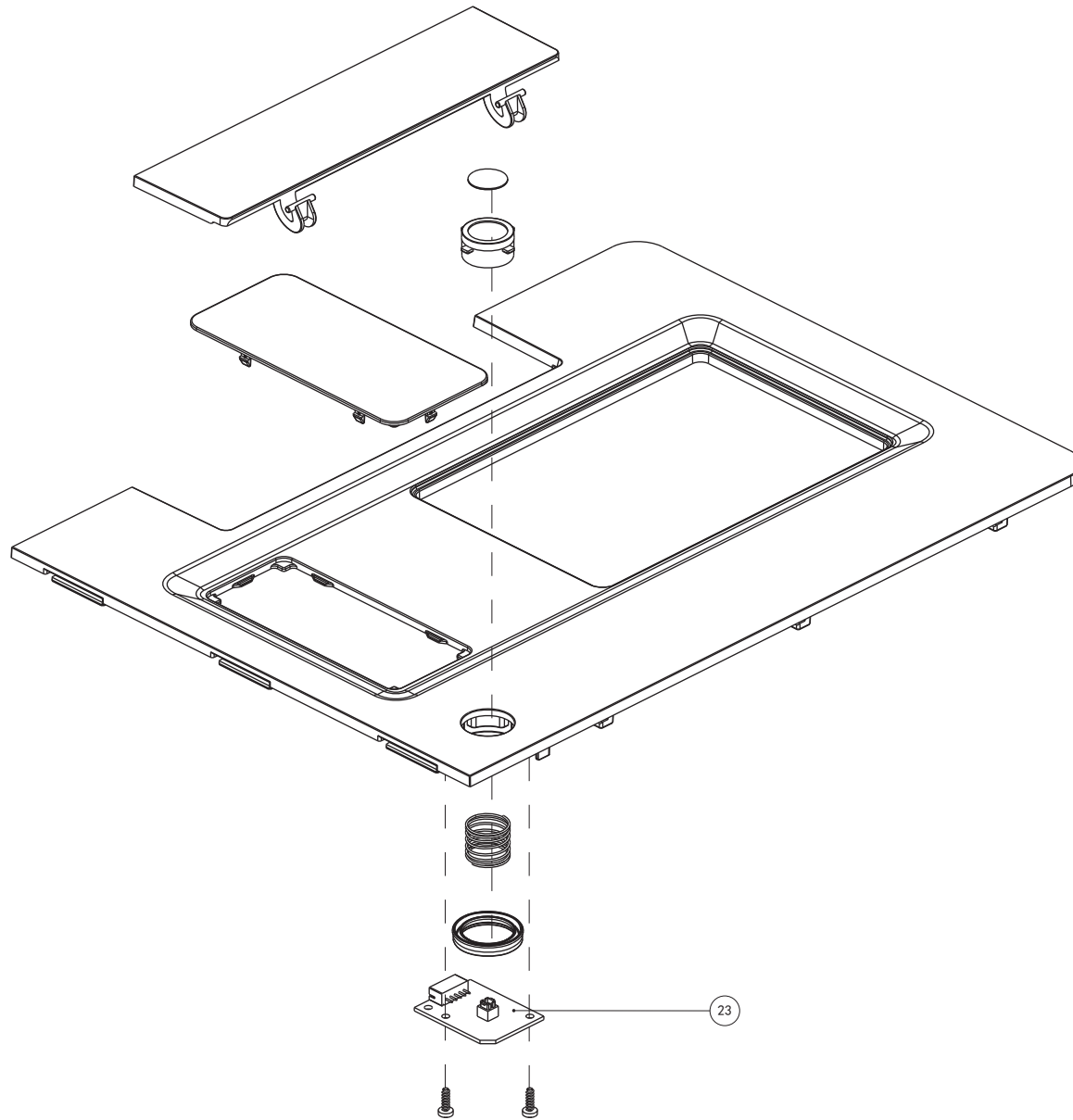
ITEM	DWG NO.	ENGLISH NAME	名称
44	8.G.2.0014	Y-ring $\phi 22.67 * \phi 13.90$	导水座Y型密封圈



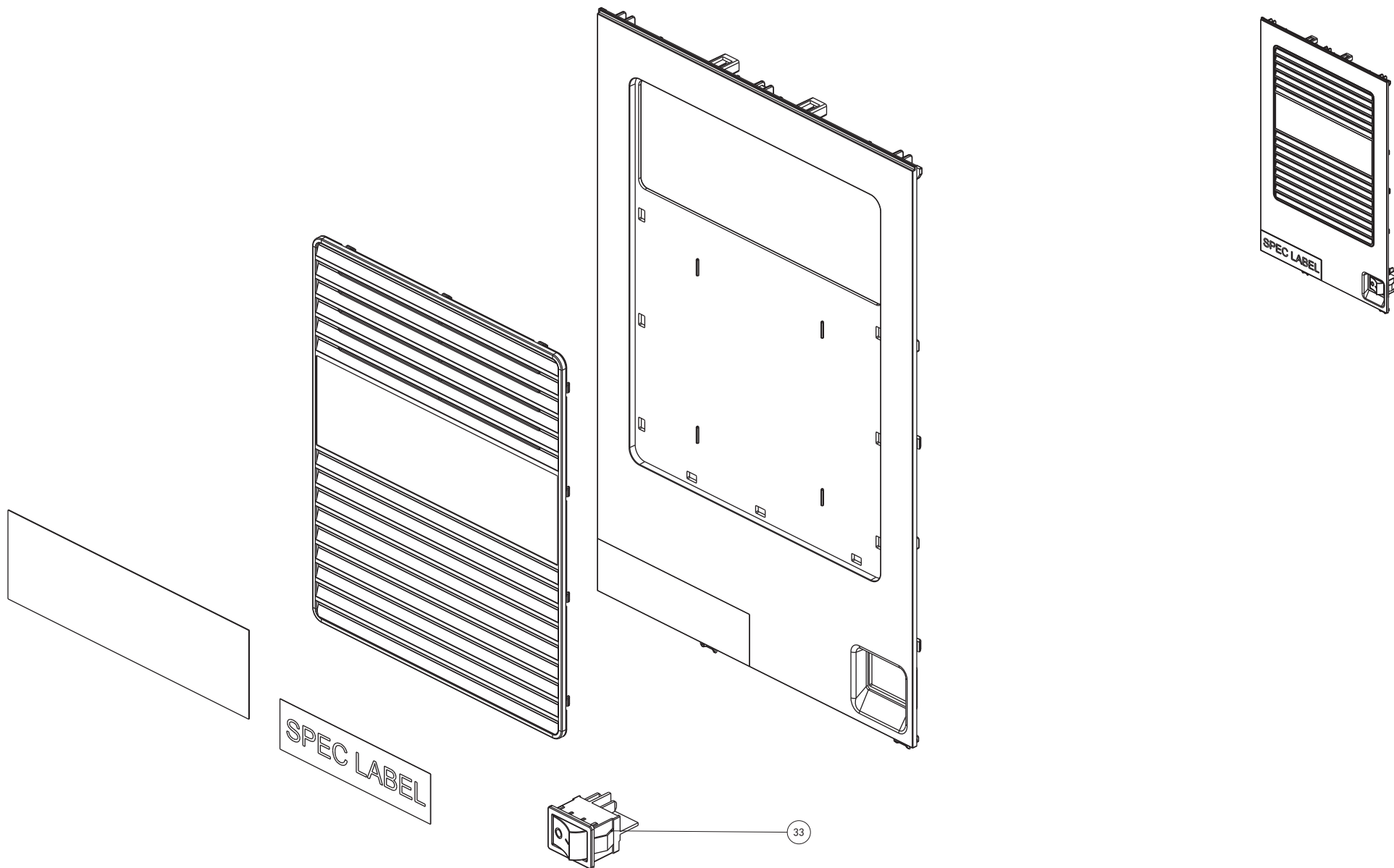
ITEM	DWG NO.	ENGLISH NAME	名称
21	8.D.1.0027	Water level PCB	水位检测PCB



ITEM	DWG NO.	ENGLISH NAME	名称
21	8.D.1.0056	Main Control Board	C11 主板



ITEM	DWG NO.	ENGLISH NAME	名称
23	8.D.1.0058	Power Key Board	电源开关小板



ITEM	DWG NO.	ENGLISH NAME	名称
33	8.D.3.0038	Rocker Switch	CCC翘板开关16A